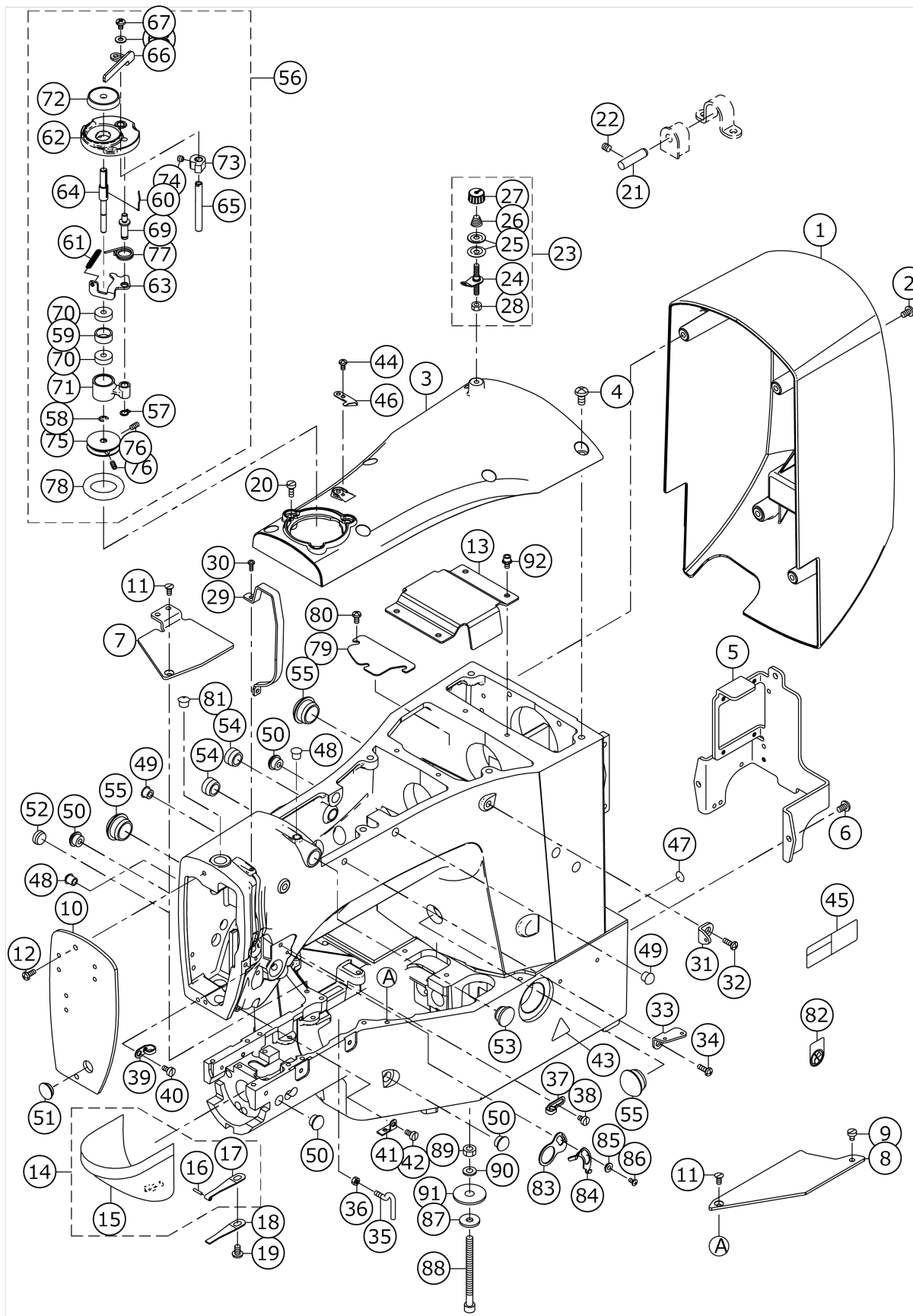


AB-1351

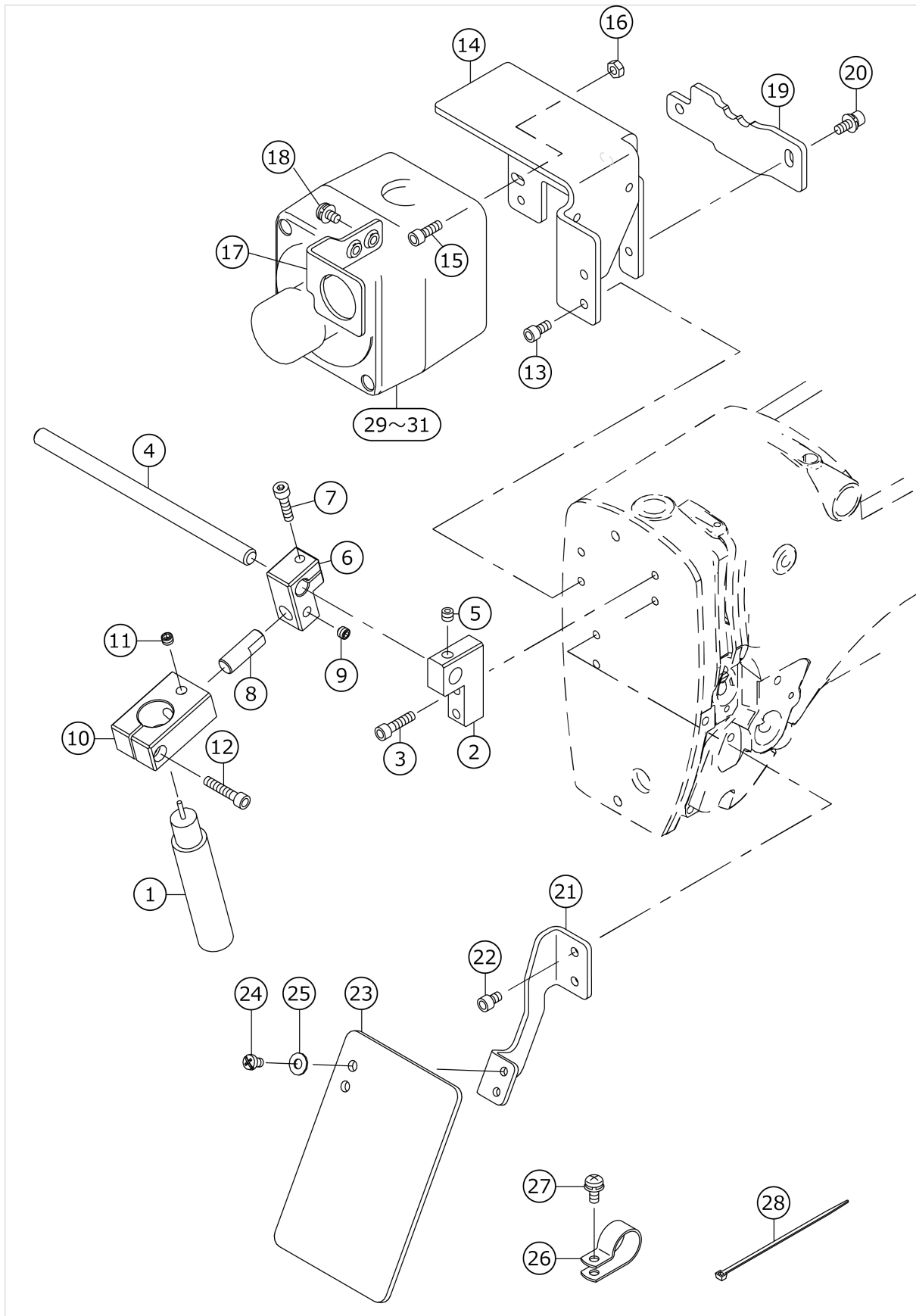
FRAME & MISCELLANEOUS COVER COMPONENTS (1)



No.	品番	品名	備考	子部品	消耗品	個数
1	40006475	MOTOR COVER				1.00
2	SM5040855SN	SCREW				4.00
3	40006478	UPSIDE COVER				1.00
4	SM4061255SP	SCREW M6 L=12				6.00
5	40010404	PROTECTION PLATE				1.00
6	SM4050855SP	SCREW				3.00
7	40076003	BET COVER LEFT				1.00
8	40076004	BET COVER RIGHT				1.00
9	SM6040650TP	SCREW M4 L=6				1.00
10	40112387	FACE PLATE				1.00
11	SM1040650TP	SCREW				2.00
12	SM4041055SP	SCREW				2.00
13	40010405	CRANK ROD COVER				1.00
14	40104918	CYLINDER ARM CAP ASM.				1.00
15	13816855	CYLINDER ARM CAP		*		1.00
16	13508700	HOOK COVER PRESSER SPRING PIN		*		1.00
17	26221101	HOOK COVER PRESSER SPRING A		*		1.00
18	26221200	HOOK COVER PRESSER SPRING B				1.00
19	SM5040855SN	SCREW				1.00
20	SM6041150TP	SCREW M4 L=11				3.00
21	40009290	HINGE STUD				2.00
22	SM8060612TP	SCREW M6 L=6				4.00
23	14113468	BOBBIN THREAD TENSION ASM.				1.00
24	14113450	BOBBIN THREAD TENSION ROD ASM.		*		1.00
25	B3126012000	THREAD TENSION DISK		*		2.00
26	D7133555B00	CONNECTING ROD SPRING		*		1.00
27	11072402	THREAD TENSION NUT		*		1.00
28	NS6110310SP	NUT 11/64-40		*		1.00
29	26211607	BALANCE COVER				1.00
30	SM4030855SN	SCREW M3 L=8.0				2.00
31	40010414	THREAD GUIDE NO.1				1.00
32	SM4061255SP	SCREW M6 L=12				1.00
33	26211904	THREAD GUIDE PLATE				1.00
34	SM4061255SP	SCREW M6 L=12				1.00
35	40010571	L SHAPED THREAD GUIDE A				1.00
36	NM6040000SN	NUT M4				1.00
37	22920508	ARM THREAD GUIDE A				1.00
38	SM6040650TP	SCREW M4 L=6				1.00
39	13705108	TAKE-UP THREAD GUIDE B				1.00
40	SM6040860TP	SCREW M4 L=8				1.00
41	B1129210000	FRAME THREAD GUIDE(B)				1.00
42	SM6040860TP	SCREW M4 L=8				1.00
43	CM300200002	CAUTION LABEL(25)				1.00
44	SM4030601SN	SCREW M3X6				1.00
45	40102261	SAFETY LABEL S				1.00
46	10502300	THREAD CUTTER				1.00
47	22901805	GROUND MARK				1.00
48	TA0750704R0	RUBBER PLUG				2.00
49	TA0850604R0	RUBBER PLUG				2.00
50	TA1050504R0	RUBBER PLUG				4.00

51	TA1250406R0	RUBBER PLUG D=12.5 L=4				1.00
52	TA1270502R0	RUBBER PLUG				1.00
53	TA1470704R0	RUBBER PLUG				1.00
54	TA1550902R0	PLUG				2.00
55	TA2100904R0	RUBBER PLUG				3.00
56	26260000	BOBBIN WINDER UNIT				1.00
57	RC0560711KP	RETAINING RING		*		1.00
58	RE0400000K0	E-RING 4		*		1.00
59	26260802	BTW BEARING SPACER		*		1.00
60	26261602	BOBBIN SPRING		*		1.00
61	26261701	BTW SPRING		*		1.00
62	26260109	BTW BASE		*		1.00
63	26260208	BTW CAM PLATE		*		1.00
64	26260901	BTW SHAFT		*		1.00
65	26261008	BTW LEVER SHAFT		*		1.00
66	26261107	BTW LEVER		*		1.00
67	SM5040655SN	SCREW		*		1.00
68	WP0450826SC	WASHER 4.5X10X0.8		*		1.00
69	26260307	BTW BASE SHAFT		*		1.00
70	26261305	BTW BEARING		*		2.00
71	26260406	BTW SHAFT BASE		*		1.00
72	26261206	BTW SPACER		*		1.00
73	26260505	BTW CAM LEVER		*		1.00
74	SM8050502TP	SCREW M5 L=5		*		1.00
75	26260604	BTW WHEEL		*		1.00
76	SM8040802TP	SCREW M4X8		*		2.00
77	26260703	BTW TORSION SPRING		*		1.00
78	26261503	BTW WHEEL RUBBER		*		1.00
79	40011928	CRANK ROD UNDER COVER				1.00
80	SM5040855SN	SCREW				2.00
81	22901409	NEEDLE BAR UPPER BUSH CAP				1.00
82	CM100100001	OIL INJECTION PROHIBITION LABEL				1.00
83	40028834	GUIDE PLATE				1.00
84	40090646	THB SENSOR CABLE ASSY				1.00
85	40028835	BUSHING				1.00
86	SM0030601SC	SCREW M3X0.5 L=6				1.00
87	WP0612056SD	WASHER 6.1X18.5X2				1.00
88	SM6067552TP	HEXAGONAL-HOLE BOLT M6 L=75				1.00
89	NM6060001SC	NUT M6				1.00
90	WS0610002KN	SPRING WASHER 6.1X12.2X1.5				1.00
91	WP0852086SC	WASHER M8				1.00
92	SL6040892TN	BOLT				4.00

FRAME & MISCELLANEOUS COVER COMPONENTS (2)

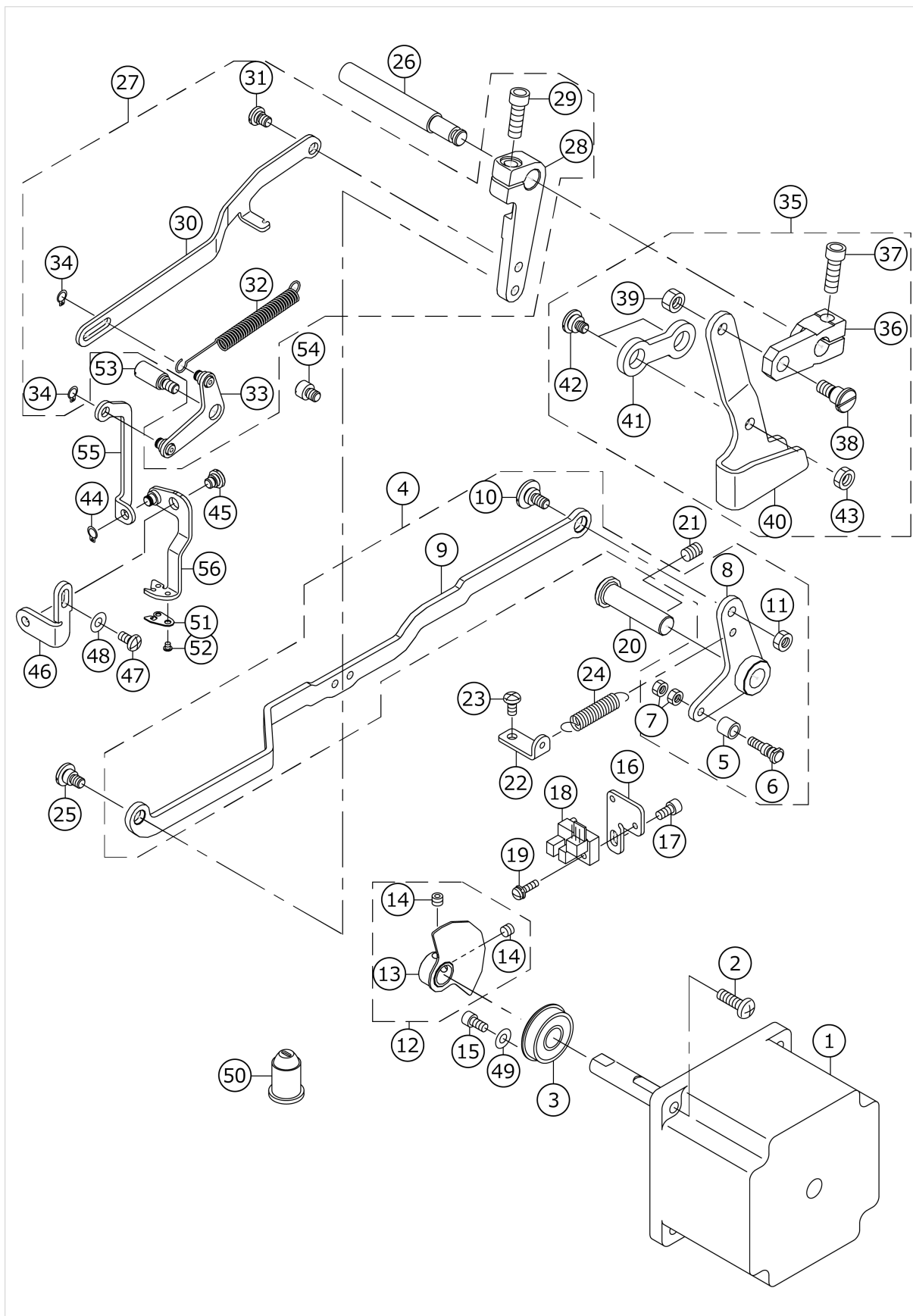


No.	品番	品名	備考	子部品	消耗品	個数
1	40090637	LED MARKING				1.00
2	40091171	MARKER FIXED ROD HOLDER				1.00
3	SM6041602TP	SCREW M4X0.7 L=16				2.00
4	20104402	HANDLE				1.00
5	SM8050412TP	SCREW M5 L=4				1.00
6	40091172	MARKER FIXED BLOCK				1.00
7	SM6041602TP	SCREW M4X0.7 L=16				1.00
8	40091173	MARKER FIXED SUB ROD				1.00
9	SM8050412TP	SCREW M5 L=4				1.00
10	40067813	MARKER BRACKET				1.00
11	SM8050412TP	SCREW M5 L=4				1.00
12	SM6042002TP	SCREW M4X0.7 L=20				1.00
13	SM6040802TP	SCREW M4X0.7 L=8				2.00
14	40091334	OFF SW BOX BRACKET				1.00
15	SM6041202TP	SCREW M4X0.7 L=12				2.00
16	NM6040001SC	NUT M4				2.00
17	40091335	OFF SW BOX GND PLATE				1.00
18	SL4040891SC	SCREW M4 L=8				2.00
19	40091336	OFF SW SUB BRACKET				1.00
20	SL6041092TN	SCREW				2.00
21	40091930	SAFTETY BRACKET				1.00
22	SM6040802TP	SCREW M4X0.7 L=8				2.00
23	26037200	SAFETY PLATE				1.00
24	SM4040655SP	SCREW M4 L=6				2.00
25	WP0450801SD	WASHER 4.5X10X0.8				2.00
26	HX00150000H	CABLE CLIP				2.00
27	SL4041091SC	SCREW M4 L=10				2.00
28	EA9500B0100	CABLE BAND				2.00
29	HA006280000	SWITCH				1.00
30	HA006280010	SWITCH				1.00
31	HA006280020	SWITCH				1.00

No.	品番	品名	備考	子部品	消耗品	個数
1	40010572	MAIN SHAFT				1.00
2	40110836	FRONT BEARING BUSH ASM.				2.00
3	40010417	BEARING BUSH SCREW		*		2.00
4	SM80606A2TP	SCREW M6 L=6				1.00
5	40111911	MAIN SHAFT WHEEL ASM.				1.00
6	40010417	BEARING BUSH SCREW		*		2.00
7	40111425	MAIN SHAFT WHEEL		*		1.00
8	40110838	BACK BEARING BUSH ASM.				1.00
9	40010417	BEARING BUSH SCREW		*		2.00
10	40112990	CRANK ROD ALL ASM.				1.00
11	40110825	CRANK ROD SUPPORT PLATE		*		1.00
12	SM1030601SP	SCREW M3 L=6		*		3.00
13	SM8480652TP	SCREW		*		2.00
14	SM8480652TP	SCREW		*		1.00
15	40112993	OSCILLATOR ARM		*		1.00
16	40030939	OSCILLATOR PIN		*		1.00
17	SM6060550TP	SCREW M6 L=4.5		*		1.00
18	40026818	WASHER		*		1.00
19	SM8060812TP	SCREW M6 L=8		*		2.00
20	10108009	OIL SEAL		*		2.00
21	RE0800000K0	E-SHAPED SNAP RING (8MM)		*		1.00
22	40006923	THREAD TAKE UP B COMPL.				1.00
23	40006924	THREAD TAKE UP LEVER B ASM.		*		1.00
24	SB104001600	BEARING		*		1.00
25	40006925	THREAD TAKE UP LEVER B		*		1.00
26	B1908505000	THREAD PASS BUSH		*		1.00
27	SB108002200	BEARING		*		2.00
28	40006534	NEEDLE BAR CRANK ROD ASM.		*		1.00
29	40006535	NEEDLE BAR CRANK ROD		*		1.00
30	SB108002300	BEARING		*		1.00
31	22891006	NEEDLE BAR CRANK ROD METAL		*		1.00
32	40006532	THREAD TAKE UP CRANK		*		1.00
33	40006926	NEEDLE ROD CRANK B		*		1.00
34	B1903552000	LEFT SCREW		*		1.00
35	40010470	SHUTTLE ASM. SCREW				2.00
36	40028015	AC SERVO MOTOR				1.00
37	SM7030550TP	SCREW M3 L=4.5				1.00
38	MDP170B1400	NEEDLE DPX17 #14				1.00
39	40110841	THRUST COLLAR ASM.				1.00
40	40110842	THRUST COLLAR		*		1.00
41	SM80506A2TP	SCREW M5 L=6		*		2.00
42	40010533	BTW DRIVING WHEEL ASM.				1.00
43	40010534	BTW DRIVING WHEEL		*		1.00
44	40010535	DRIVING WHEEL SCREW		*		2.00
45	40010428	COUNTER WEIGHT B ASM.				1.00
46	40010424	COUNTER WEIGHT SCREW A		*		1.00
47	40010425	COUNTER WEIGHT SCREW B		*		1.00
48	40010426	COUNTER WEIGHT SCREW C		*		1.00
49	40010427	COUNTER WEIGHT SCREW D		*		1.00
50	WP0820516SP	WASHER 11.6X8.2X0.6				1.00

51	40112861	THREAD_TAKE_UP_CRANK_SHAFT_D				1.00
52	40110812	CRANK BALANCER ASM.				1.00
53	40010439	CRANK BALANCER FIX PLATE		*		1.00
54	40010440	CRANK BALANCER FIX PLATE SCREW		*		2.00
55	40110813	CRANK BALANCER		*		1.00
56	SL6052592TN	BOLT				4.00
57	23604309	COUPLING				1.00
58	SM8060812TP	SCREW M6 L=8				4.00
59	B1212210D00	PULLEY				1.00
60	B1144210000	REVOLVING DIRECTION LABEL				1.00
61	26500306	HAND PULLEY SHAFT				1.00
62	PS0400142KH	SPRING PIN 4X14				1.00
63	A123050000A	SET-SCREW				1.00
64	GAF01007000	SPRING				1.00
65	40006515	GEAR A				1.00
66	SM8040310SS	SCREW M4 L=3				2.00
67	40006516	GEAR B				1.00
68	SM8040310SS	SCREW M4 L=3				2.00
69	40010573	NEEDLE BAR				1.00
70	B14115520A0	NEEDLE BAR CONNECTING ASM.				1.00
71	SS6090670TP	SCREW 9/64-40 L=6		*		1.00
72	B1414555000	SLIDE BLOCK				1.00
73	40010441	NEEDLE ROD METAL				1.00
74	40010442	NEEDLE ROD LOWER METAL				1.00
75	40010574	THREAD GUIDE				1.00

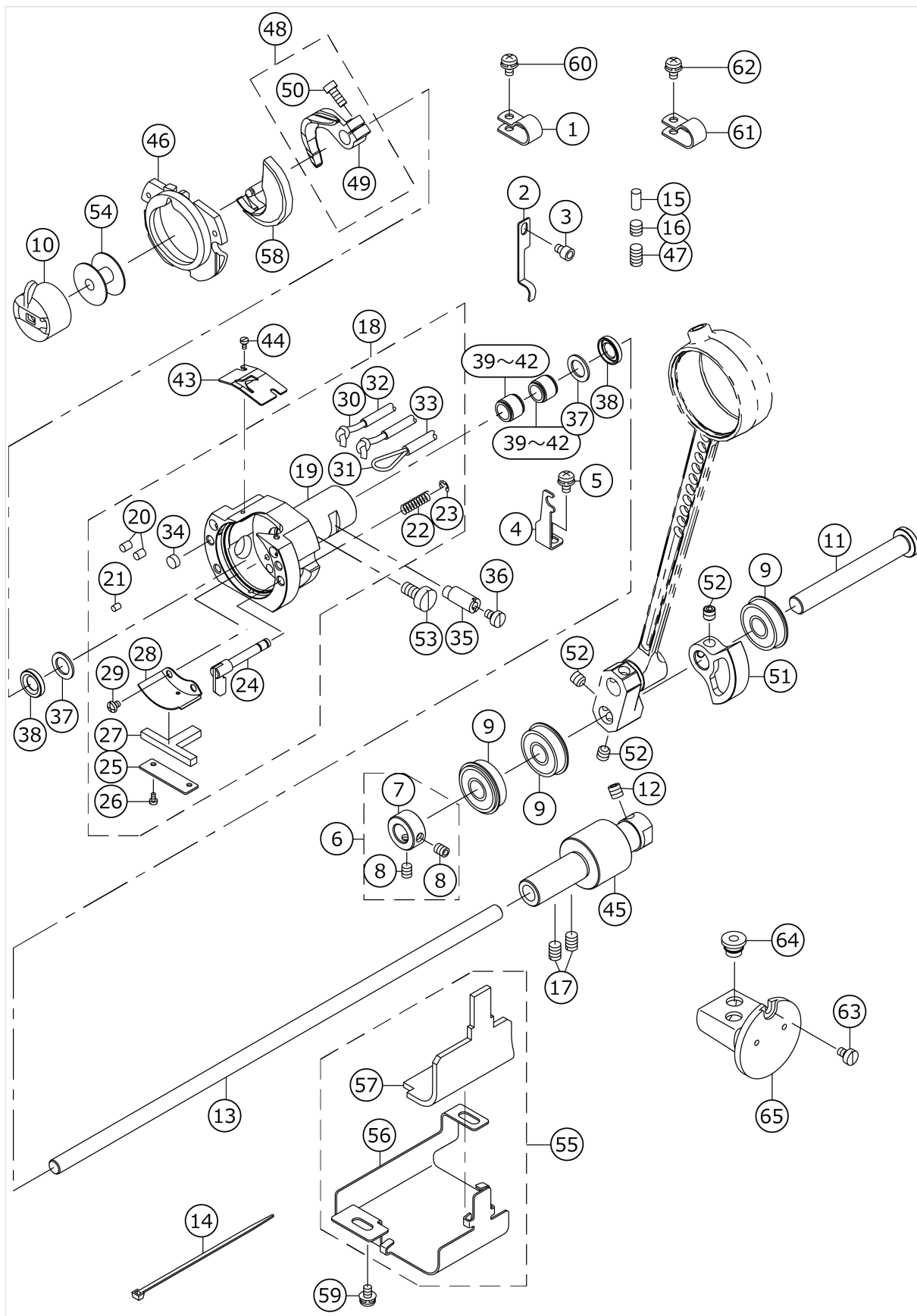
PRESSER LIFTER & WIPER COMPONENTS



No.	品番	品名	備考	子部品	消耗品	個数
1	40090628	PRESSER LIFT MOTOR				1.00
2	SM4051655SP	SCREW M5 L=16				4.00
3	SB110002400	BEARING				1.00
4	40104902	LIFTER_LINK_ASM				1.00
5	40004254	UTT CAM ROLLER		*		1.00
6	40040256	CAM ROLLER SHAFT		*		1.00
7	NM6040001SP	NUT M4X0.7		*		2.00
8	40006661	LIFTER LINK A ASM.		*		1.00
9	40006665	LIFTER LINK B		*		1.00
10	SD0800327TP	HINGE SCREW D=8 H=3.2		*		1.00
11	NM6050001SP	NUT M5		*		1.00
12	40104921	PF_SENSOR_SLIT_ASSY				1.00
13	40006666	SENSOR SLIT ASM.		*		1.00
14	SM8050402TP	SCREW		*		2.00
15	SM6040802TP	SCREW M4X0.7 L=8				1.00
16	40010443	SENSOR INSTALLING BASE				1.00
17	SM6040802TP	SCREW M4X0.7 L=8				1.00
18	HD00057000A	PHOTO SENSOR				1.00
19	SL4031291SC	SCREW M3X12				1.00
20	40006716	THREAD TRIMMER SHAFT				1.00
21	SM8060812TP	SCREW M6 L=8				1.00
22	40023831	SPRING RACK				1.00
23	SM4040855SP	SCREW				1.00
24	26226209	SPRING				1.00
25	SD0700406TP	HINGE SCREW D=7 H=4				1.00
26	40083882	CONNECTING SHAFT				1.00
27	40104899	WIPER_CONNECTING_ARM_ASM_ST				1.00
28	40006671	CONNECTING ARM		*		1.00
29	SM6061802TP	SCREW M6 L=18		*		1.00
30	40010460	WIPER CONNECTING LINK		*		1.00
31	SD0600206TP	HINGE SCREW D=6 H=2		*		1.00
32	26218008	SPRING		*		1.00
33	40010451	WIPER CONNECTING ARM ASM.		*		1.00
34	RC0470611KP	RETAINING RING 4.7		*		2.00
35	40104898	LOWERING ARM_ASM				1.00
36	40008693	LOWERING ARM		*		1.00
37	SM6061802TP	SCREW M6 L=18		*		1.00
38	SD0790606TP	HINGE SCREW D=7.94 H=6		*		1.00
39	NM6060001CP	NUT M6		*		1.00
40	40010450	LOWERING FOOT		*		1.00
41	14104400	CONNECTING LINK		*		1.00
42	SD1000406TP	HINGE SCREW D=10 H=4		*		2.00
43	NM6060003SC	NUT M6		*		1.00
44	RC0470611KP	RETAINING RING 4.7				1.00
45	SD0640216TP	HINGE SCREW D=6.35 H=2.1				1.00
46	40006678	WIPER BASE PLATE				1.00
47	SM4040855SP	SCREW				1.00
48	WP0450801SP	WASHER				1.00
49	WP0450801SP	WASHER				1.00
50	13509807	OIL SHIELD CAP				1.00

51	40091929	WIPER PLATE A				1.00
52	SS5060310SP	SCREW 3/32-56 L=2.8				1.00
53	40010455	WIPER CONNECTING LINK SHAFT				1.00
54	40010457	WIPER STOPPER				1.00
55	40006937	WIPER CONNECTING PLATE B				1.00
56	40033047	WIPER ASM.				1.00

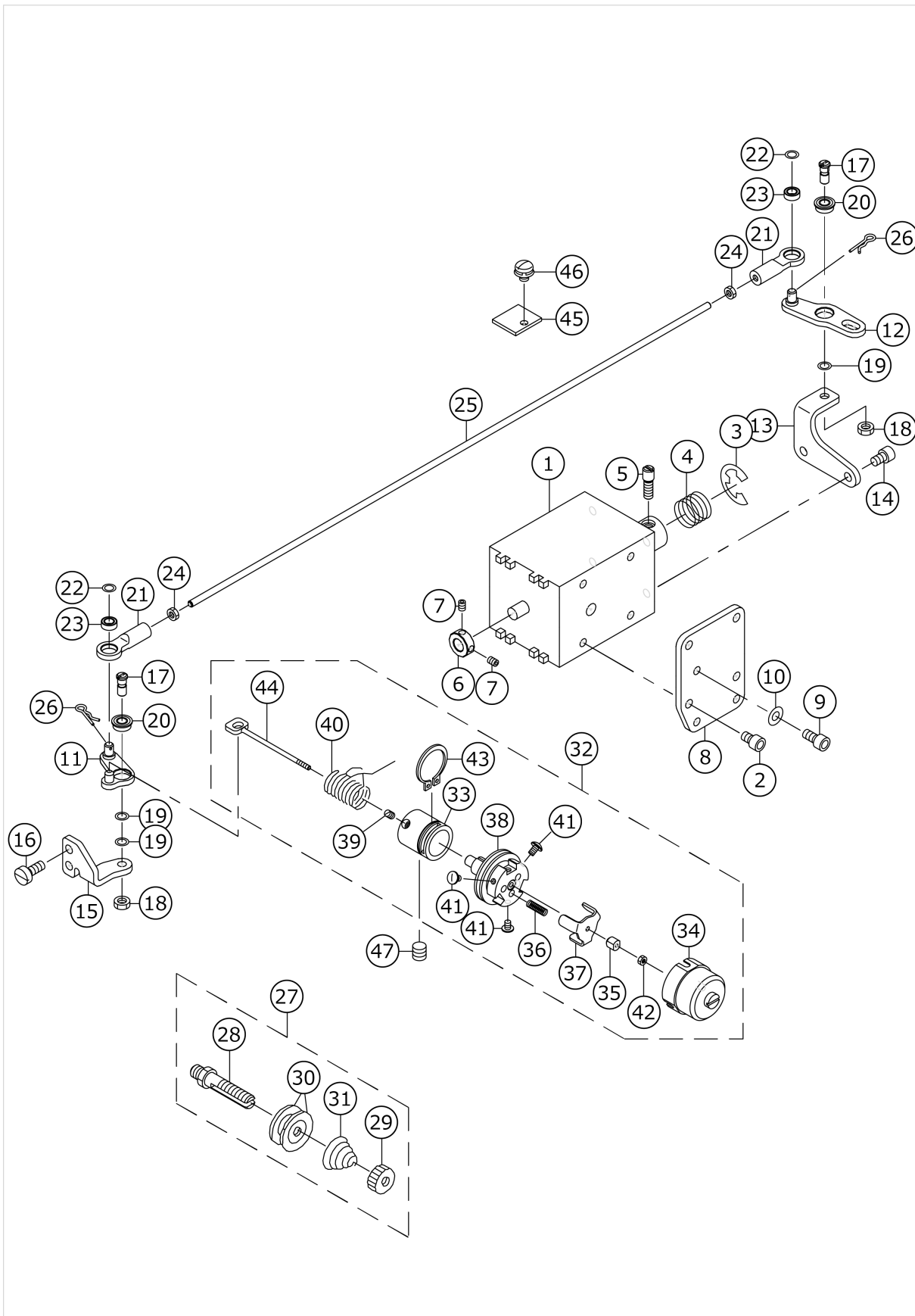
SHUTTLE DRIVER SHAFT COMPONENTS



No.	品番	品名	備考	子部品	消耗品	個数
1	HX00150000D	CABLE CLIP				1.00
2	40012127	OIL PIPE HOLDER				1.00
3	SM6040502TP	SCREW M4X0.7 L=5				1.00
4	40013721	TUBE CLAMP				1.00
5	SL4040891SC	SCREW M4 L=8				1.00
6	40010464	THRUST COLLAR ASM.				1.00
7	40010467	THRUST COLLAR		*		1.00
8	40010469	THRUST COLLAR SCREW		*		2.00
9	SB110002400	BEARING				3.00
10	B18289800BB	BOBBIN CASE ASM. (RACING PREVE)				1.00
11	40112994	OSCILLATOR SHAFT				1.00
12	SM8060612TP	SCREW M6 L=6				2.00
13	40010575	LOWER SHAFT				1.00
14	EA9500B0100	CABLE BAND				2.00
15	40006578	OIL WICK PRESSER				1.00
16	SM8060610TP	SCREW				1.00
17	SM8060812TP	SCREW M6 L=8				2.00
18	40006573	SHUTTLE ASM.				1.00
19	40089365	SHUTTLE		*		1.00
20	B1820210D00	SHUTTLE OIL FELT A		*		2.00
21	B1821210D00	SHUTTLE OIL FELT B		*		1.00
22	B1822215P00	INNER HOOK PRESSER SPRING		*		2.00
23	RE0300000K0	E-RING 3		*		2.00
24	26501858	INNER-HOOK-PRESSER ASM.		*		2.00
25	14104004	ONCE THROUGH OIL FELT PRESSER		*		1.00
26	SM6020460TP	SCREW M2 L=3.5		*		2.00
27	14103907	SHUTTLE ONCE THROUGH OIL FELT		*		1.00
28	40006577	SHUTTLE LUBRICATING PLATE		*		1.00
29	SM4030455SP	SCREW		*		2.00
30	CQ200000000	OIL WICK		*		2.60
31	CQ200000000	OIL WICK		*		1.40
32	23630007	TUBE		*		1.00
33	23630007	TUBE		*		0.60
34	13529607	SHUTTLE PACKING		*		2.00
35	40010471	SHUTTLE RACE ADJUSTING SHAFT				1.00
36	SM6040650TP	SCREW M4 L=6				1.00
37	40010472	SHUTTLE BEARING RING				2.00
38	40110856	SUTTLE OIL SEAL				2.00
39	SB30800100A	BEARING	SELECTIVE PARTS			2.00
40	SB30800100B	BEARING	SELECTIVE PARTS			2.00
41	SB30800100C	BEARING	SELECTIVE PARTS			2.00
42	SB30800100D	BEARING	SELECTIVE PARTS			2.00
43	B1815210000	INNER HOOK UPPER SPRING				1.00
44	SM6020460TP	SCREW M2 L=3.5				2.00
45	40110830	LOWER SHAFT GEAR ASM.				1.00
46	14103352	INNER HOOK PRESSER ASM. B				1.00

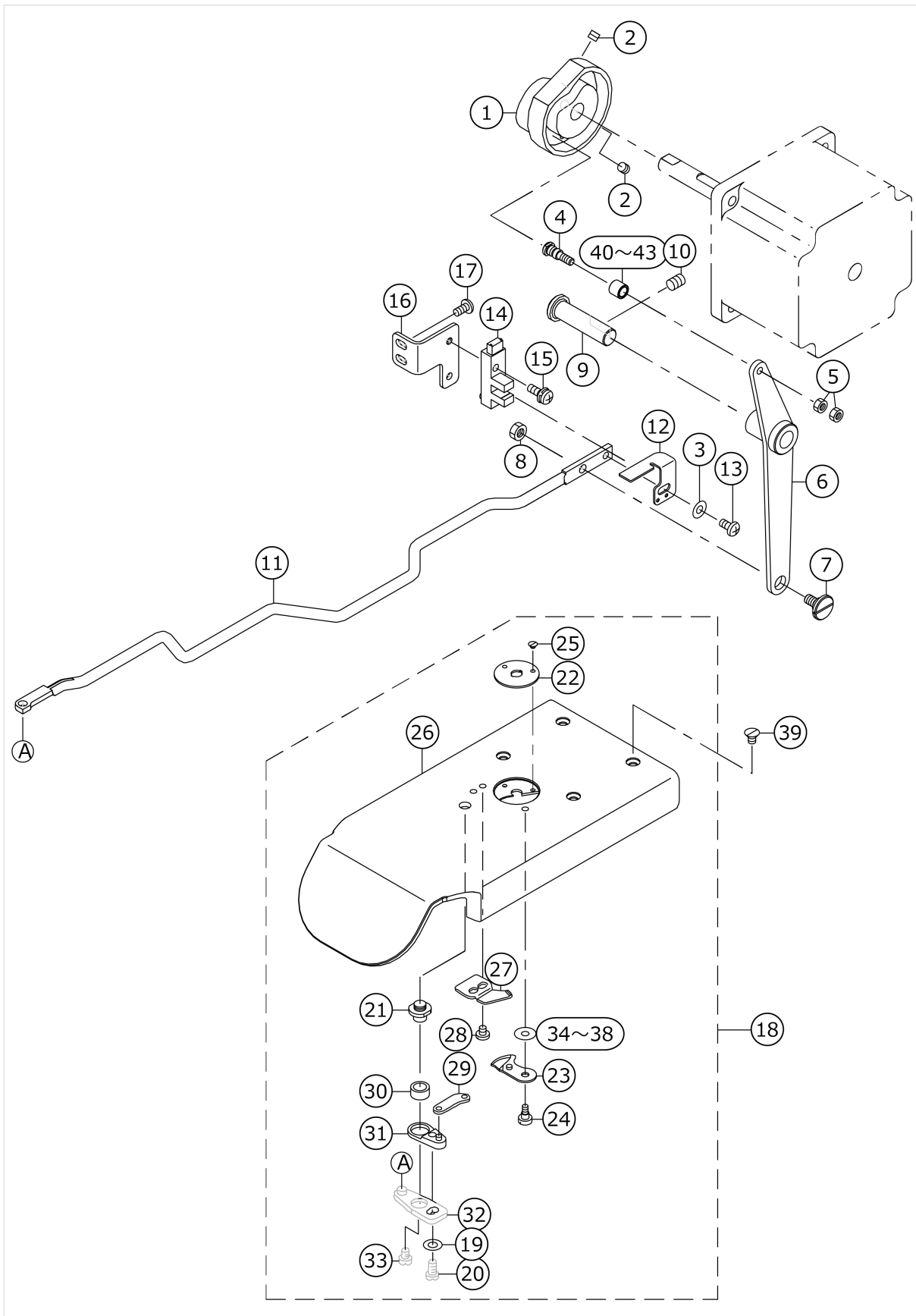
47	SM8061050TP	SCREW				1.00
48	40011512	DRIVER ASM.				1.00
49	40011511	SHUTTLE DRIVER		*		1.00
50	SS6121212TP	SCREW 3/16-28 L=12.0		*		1.00
51	40110827	OSCILLATOR				1.00
52	SM8480652TP	SCREW				4.00
53	40010470	SHUTTLE ASM. SCREW				1.00
54	13812102	BOBBIN				1.00
55	40010473	LOWER SHAFT GEAR COVER ASM.				1.00
56	40010474	LOWER SHAFT GEAR COVER		*		1.00
57	40010475	LOWER SHAFT GEAR FELT		*		1.00
58	40006580	SHUTTLE				1.00
59	SL4040891SC	SCREW M4 L=8				2.00
60	SL4040891SC	SCREW M4 L=8				1.00
61	HX00150000B	CABLE CLIP				2.00
62	SL4040891SC	SCREW M4 L=8				2.00
63	SM6040650TP	SCREW M4 L=6				1.00
64	40006840	RUBBER BUSH				2.00
65	40006836	OIL TANK ASM.				1.00

THREAD TENSION COMPONENTS



No.	品番	品名	備考	子部品	消耗品	個数
1	40006628	AT SOLENOID				1.00
2	SM6040602TP	SCREW M4 L=6				4.00
3	RE0900000K0	E-RING 9				1.00
4	40006625	SPRING				1.00
5	40006617	AT SOL PIN				1.00
6	40010477	AT SOL COLLAR				1.00
7	SM8030412TP	SCREW				2.00
8	40010479	AT PLATE				1.00
9	SM6040802TN	SCREW				2.00
10	WP0430801SC	WASHER 4.3X9X0.8				2.00
11	40010482	AT DRIVE LINK(F) ASM.				1.00
12	40010492	AT DRIVE LINK(R) ASM.				1.00
13	40010495	AT PIVOT BASE(R)				1.00
14	SM6040602TP	SCREW M4 L=6				2.00
15	40010486	AT PIVOT BASE(F)				1.00
16	SM6041050TP	SCREW M4 L=10				2.00
17	40010487	AT PIVOT SCREW				2.00
18	40010488	AT PIVOT NUT				2.00
19	40010489	AT PIVOT SCREW WASHER				3.00
20	40010490	AT PIVOT BEARING				2.00
21	40010497	AT JOINT				2.00
22	40010489	AT PIVOT SCREW WASHER				2.00
23	40010498	AT JOINT BEARING				2.00
24	40010499	AT JOINT NUT				2.00
25	40010500	AT CONNECTION BAR				1.00
26	40006622	AT SNAP PIN				2.00
27	40010503	THREAD TENSION 1 ASM.				1.00
28	40010504	THREAD TENSION SHAFT		*		1.00
29	22928808	NUT		*		1.00
30	22921506	THREAD TENSION DISK		*		2.00
31	26218602	FIRST THREAD TENSION SPRING		*		1.00
32	40010508	THREAD TENSION 2 ASM.				1.00
33	40010510	THREAD TENSION POST BASE		*		1.00
34	40010511	DISK STOPPER HOLDER CAP		*		1.00
35	40010512	THREAD TENSION SHAFT COLLAR		*		1.00
36	40010513	DISK STOPPER SP		*		3.00
37	40010514	DISK STOPPER		*		1.00
38	40010515	ASSY THREAD TENSION POST		*		1.00
39	40010478	AT SOL COLLAR SCREW		*		1.00
40	22921605	THREAD TAKE-UP SPRING		*		1.00
41	40010521	HOLD CAP SCREW		*		3.00
42	40010522	SHAFT NUT		*		1.00
43	40010523	POST BASE C RING		*		1.00
44	40010509	THREAD TENSION SHAFT		*		1.00
45	40013967	AT-FELT				1.00
46	SL4040681SC	SCREW M4 L=6				1.00
47	SM8061612TP	SCREW M6X16				1.00

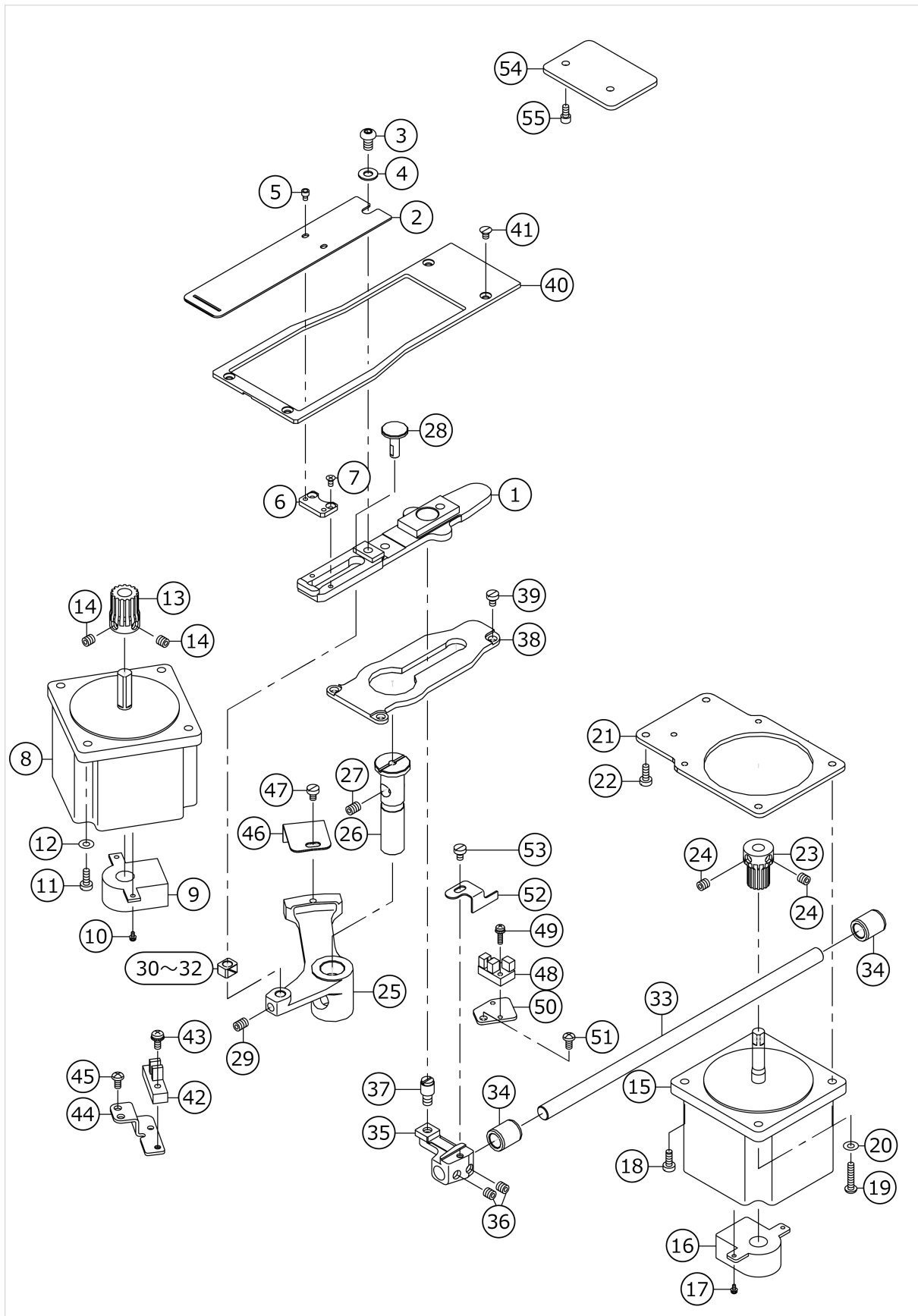
THREAD TRIMMER MECHANISM COMPONENTS



No.	品番	品名	備考	子部品	消耗品	個数
1	40006711	THREAD TRIMMER CAM				1.00
2	SM8050592TP	SCREW				2.00
3	WP0450801SP	WASHER				1.00
4	40040256	CAM ROLLER SHAFT				1.00
5	NM6040001SP	NUT M4X0.7				2.00
6	40006712	THREAD TRIMMER LINK ASM.				1.00
7	SD0800327TP	HINGE SCREW D=8 H=3.2				1.00
8	NM6050001SP	NUT M5				1.00
9	40006716	THREAD TRIMMER SHAFT				1.00
10	SM8060812TP	SCREW M6 L=8				1.00
11	40006717	CONNECTING BAR				1.00
12	40010525	THREAD TRIMMER SENSOR SLIT				1.00
13	SM4040855SP	SCREW				1.00
14	HD002230000	PHOTO SENSOR				1.00
15	SL4041291SC	SCREW M4 L=12				1.00
16	40010526	THREAD TRIMMER SENSOR BASE				1.00
17	SM4040855SP	SCREW				2.00
18	40066720	NEEDLE PLATE ASM. W				1.00
19	WP0450846SP	WASHER		*		1.00
20	SS7110740TP	SCREW 11/64-40 L=7		*		1.00
21	B2417280000	THREAD CUTTER LEVER SHAFT		*		1.00
22	B2426280000	NEEDLE HOLE GUIDE		*		1.00
23	B24212800A0	MOVING KNIFE ASM.		*		1.00
24	SD0500091TP	HINGE SCREW D=5.0 H=0.9		*		1.00
25	SS1060210TP	SCREW 3/32-56 L=2.2		*		2.00
26	40066721	NEEDLE PLATE W		*		1.00
27	B2424280000	FIXING KNIFE		*		1.00
28	SS7090410SP	SCREW 9/64-40 L=3.5		*		2.00
29	B2418280000	MOVING KNIFE LINK		*		1.00
30	B2416280000	THREAD CUTTING LEVER RING		*		1.00
31	B24152800A0	THREAD CUTTER LEVER ASM. SMALL		*		1.00
32	B24142800A0	THREAD CUTTER LEVER ASM. LARGE		*		1.00
33	SS6110430TP	SCREW 11/64-40 L=4.0		*		1.00
34	B242328000A	MOVING KNIFE WASHER A	SELECTIVE PARTS	*		1.00
35	B242328000B	MOVING KNIFE WASHER B	SELECTIVE PARTS	*		1.00
36	B242328000C	MOVING KNIFE WASHER C	SELECTIVE PARTS	*		1.00
37	B242328000D	MOVING KNIFE WASHER D	SELECTIVE PARTS	*		1.00
38	B242328000E	MOVING KNIFE WASHER E	SELECTIVE PARTS	*		1.00
39	SM1040650TP	SCREW M4 L=6				4.00
40	23517501	NEEDLE CAM ROLLER A	SELECTIVE PARTS			1.00
41	23517600	NEEDLE CAM ROLLER B	SELECTIVE PARTS			1.00
42	23517709	NEEDLE CAM ROLLER C	SELECTIVE PARTS			1.00

43	23517808	NEEDLE CAM ROLLER D	SELECTIVE PARTS			1.00
----	----------	---------------------	-----------------	--	--	------

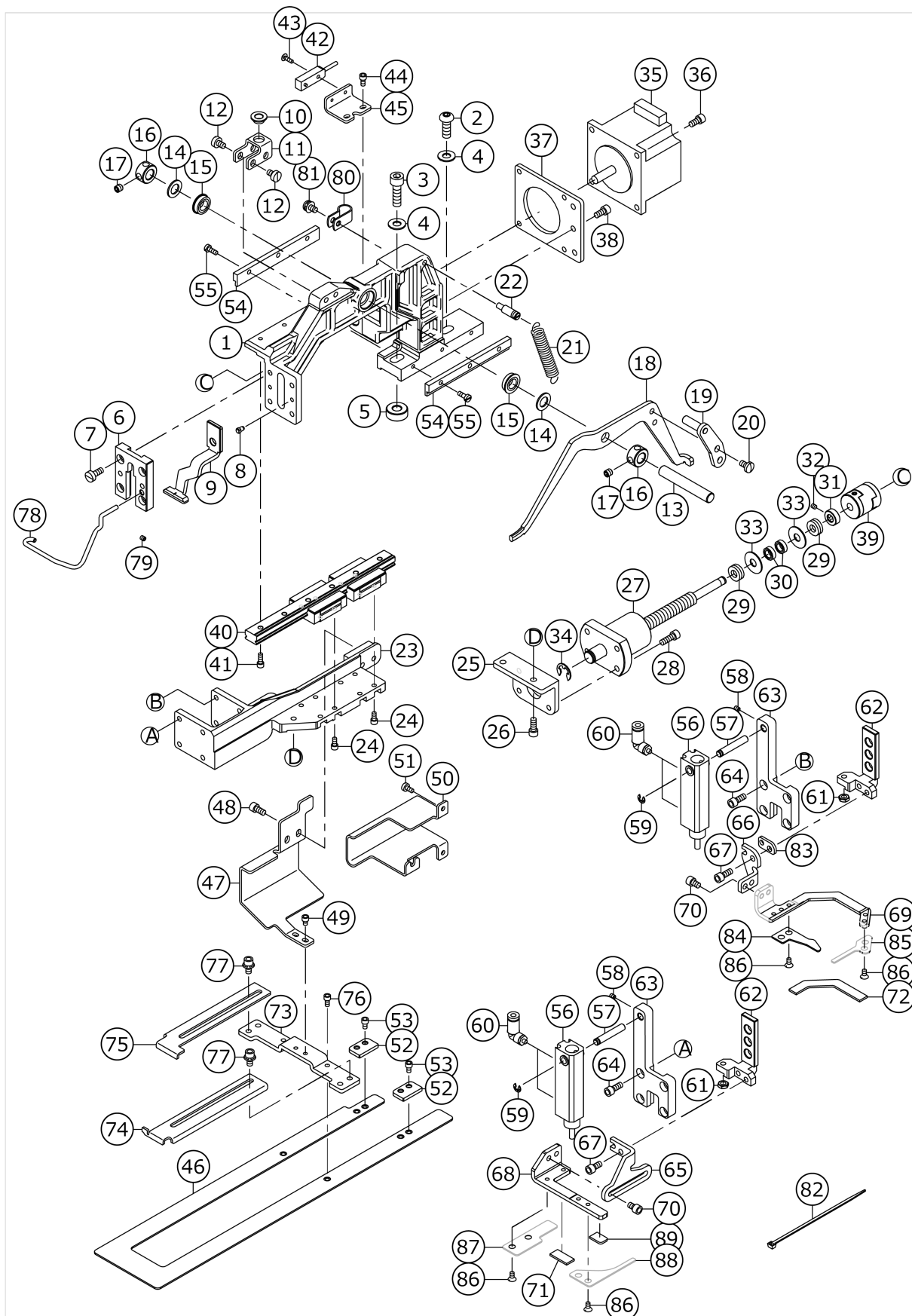
FEED MECHANISM COMPONENTS



No.	品番	品名	備考	子部品	消耗品	個数
1	40078100	CLOTH FEED PLATE A ASM.				1.00
2	40071906	FEED PLATE A				1.00
3	SM3061052TP	SCREW M6 L=10				1.00
4	WP0621016SD	WASHER 6.2X13X1				1.00
5	SM6030402TP	SCREW M3X0.5 L=4				2.00
6	40075978	SPACER PLATE				1.00
7	SM1030601SP	SCREW M3 L=6				2.00
8	40090626	X FEED MOTOR				1.00
9	HD002780000	SENSOR				1.00
10	SL4020591SC	SCREW M2X5				2.00
11	SM4041655SP	SCREW M4 L=16				4.00
12	WP0450801SP	WASHER				4.00
13	26501403	X FEED GEAR				1.00
14	SM8060602TP	SCREW M6X6				2.00
15	40090627	Y FEED MOTOR				1.00
16	HD002780000	SENSOR				1.00
17	SL4020591SC	SCREW M2X5				2.00
18	SM6041150TP	SCREW				2.00
19	SM4042055SP	SCREW				2.00
20	WP0450801SP	WASHER				2.00
21	40010536	Y FEED MOTOR BASE				1.00
22	SM6041150TP	SCREW				2.00
23	26501502	Y FEED GEAR				1.00
24	SM8060602TP	SCREW M6X6				2.00
25	40006736	CLOTH FEED ARM				1.00
26	26222703	FEED DRIVING ARM SHAFT				1.00
27	SM8060812TP	SCREW M6 L=8				1.00
28	26223305	SLIDE BLOCK STUD				1.00
29	SM8060812TP	SCREW M6 L=8				1.00
30	B1414232000	SQUARE BLOCK	SELECTIVE PARTS			1.00
31	B141423200A	CRANK SLIDE BLOCK	SELECTIVE PARTS			1.00
32	B141423200B	GUIDE ROLLER	SELECTIVE PARTS			1.00
33	40006738	Y FEED SHAFT				1.00
34	B2509704000	BUSHING REAR				2.00
35	40042897	LENGTHWISE FEED ARM(M)				1.00
36	SM8480652TP	SCREW				2.00
37	40078098	HINGE STUD A				1.00
38	40006740	CLOTH FEED SUPPORT PLATE				1.00
39	SM6040650TP	SCREW				3.00
40	40066739	CLOTH FEED PRESSER PLATE				1.00
41	SM1040650TP	SCREW				4.00
42	HD002230000	PHOTO SENSOR				1.00
43	SL4041281SC	SCREW M4X0.7 L=12				1.00
44	14111702	SENSOR INSTALLING BASE				1.00
45	SM4040855SP	SCREW				2.00
46	14111504	CROSSFEED SENSOR SLIT				1.00
47	SM6040650TP	SCREW				1.00

48	HD00057000A	PHOTO SENSOR				1.00
49	SL4031291SC	SCREW M3X12				1.00
50	40028986	SENSOR INSTALLING BASE				1.00
51	SM4040855SP	SCREW				1.00
52	14136402	LENGTHWISE FEED SENSOR SLIT				1.00
53	SM6040650TP	SCREW				1.00
54	40039255	SUPPORT PLATE				1.00
55	SM6040802TP	SCREW M4X0.7 L=8				2.00

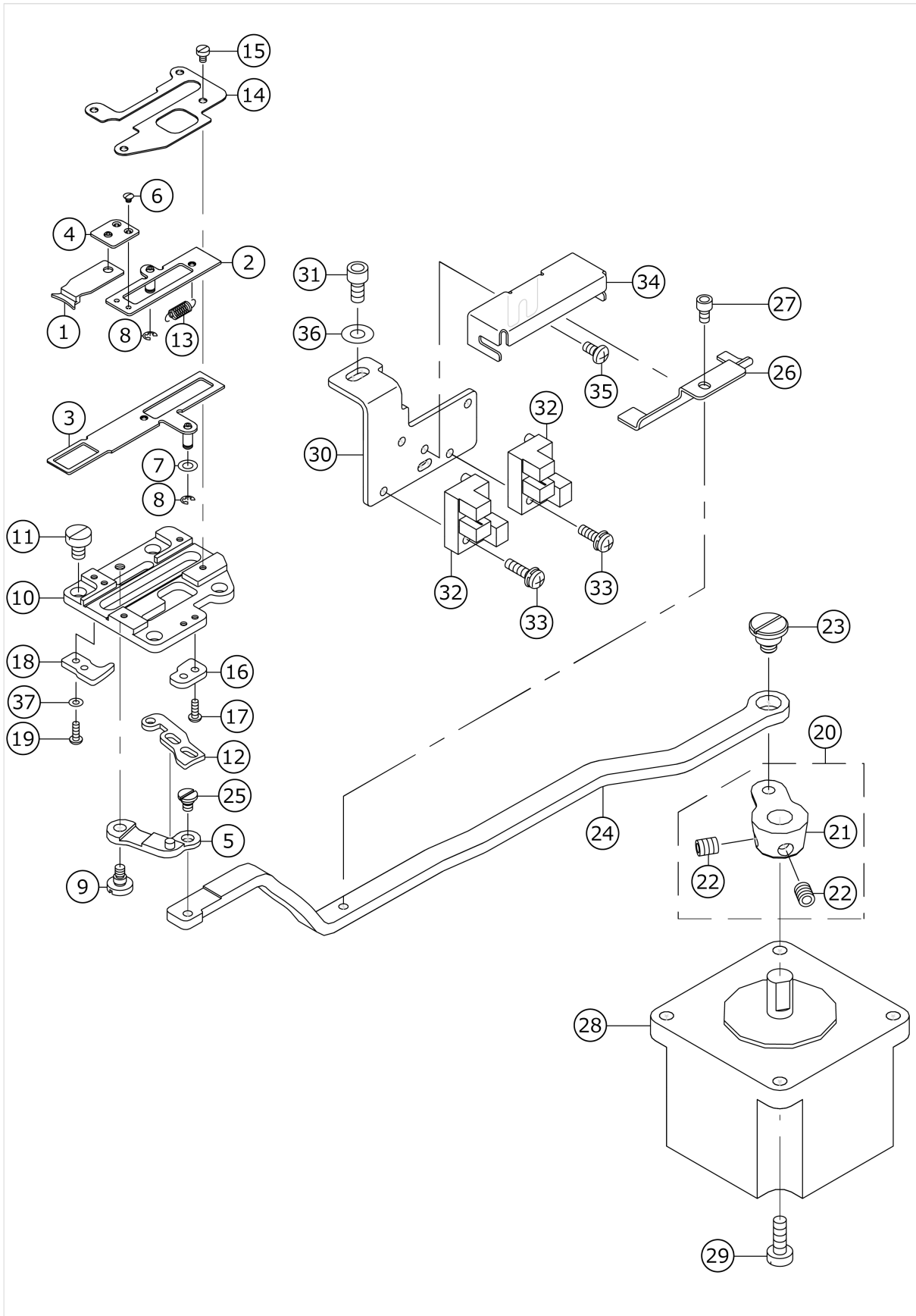
CLOTH FEED COMPONENTS



No.	品番	品名	備考	子部品	消耗品	個数
1	40066402	FEED BRACKET				1.00
2	SM3061652TN	SCREW M6 L=16				1.00
3	SM6062002TP	SCREW M6 L=20				1.00
4	WP0621016SD	WASHER 6.2X13X1				2.00
5	40075988	FEED SPACER				1.00
6	40066651	CLOTH FEED BASE COVER				1.00
7	SM6041000SP	SCREW M4 L=10				4.00
8	B1816280000	GUIDE PIN				2.00
9	40071925	WORK CLAMP FOOT A				1.00
10	G5126172000	CLAMP SHAFT HOLDER				1.00
11	40091163	SLIDER BASE				1.00
12	SM6040650TP	SCREW				4.00
13	40083883	LIFTING LEVER SHAFT B				1.00
14	40083885	WASHER				2.00
15	SB108000700	BEARING				2.00
16	40083884	THRUST COLLAR D=8 W=8				2.00
17	SM8050512TP	SCREW				4.00
18	26204008	LIFTING LEVER RIGHT				1.00
19	40103154	LEVER DRIVING PLATE R ASM.				1.00
20	SS7110740TP	SCREW 11/64-40 L=7				2.00
21	14105407	CLOTH PRESSER SPRING				1.00
22	40038207	NIPPER BAR SPRING SCREW				1.00
23	40066443	CLOTH FEED BASE				1.00
24	SM6030602TP	SCREW M3X0.5 L=6				8.00
25	40066444	CLOTH FEED BASE B				1.00
26	SM6041002TP	SCREW M4 L=10				2.00
27	40109548	BALL_SCREW_1010				1.00
28	SM6041202TP	SCREW M4X0.7 L=12				4.00
29	SB406000100	THRUST BEARING				2.00
30	SB106000500	BEARING				2.00
31	40010477	AT SOL COLLAR				1.00
32	SM8030302TP	SCREW M3X0.5 L=3				2.00
33	G5236254000	THRUST RING				2.00
34	RE0700000K0	E-RING 7				1.00
35	40090635	CLOTH FEED MOTOR				1.00
36	SM6040802TP	SCREW M4X0.7 L=8				4.00
37	40073100	MOTOR BASE PLATE				1.00
38	SM6041002TP	SCREW M4 L=10				3.00
39	40091160	COUPLING				1.00
40	40091161	LM GUIDE 12				1.00
41	SM6030802TP	SCREW M3X0.5 L=8				6.00
42	40090642	CLOTH FEED ORG SENSOR ASSY				1.00
43	SM0850801SC	SCREW M2.5 L=8				1.00
44	SM6030602TP	SCREW M3X0.5 L=6				2.00
45	40066761	SENSOR BASE				1.00
46	40066751	UNDER FEED PLATE				1.00
47	40066746	CONNECTING PLATE				1.00
48	SM6040802TP	SCREW M4X0.7 L=8				2.00
49	SM6030402TP	SCREW M3X0.5 L=4				2.00
50	40091159	FEED COVER				1.00

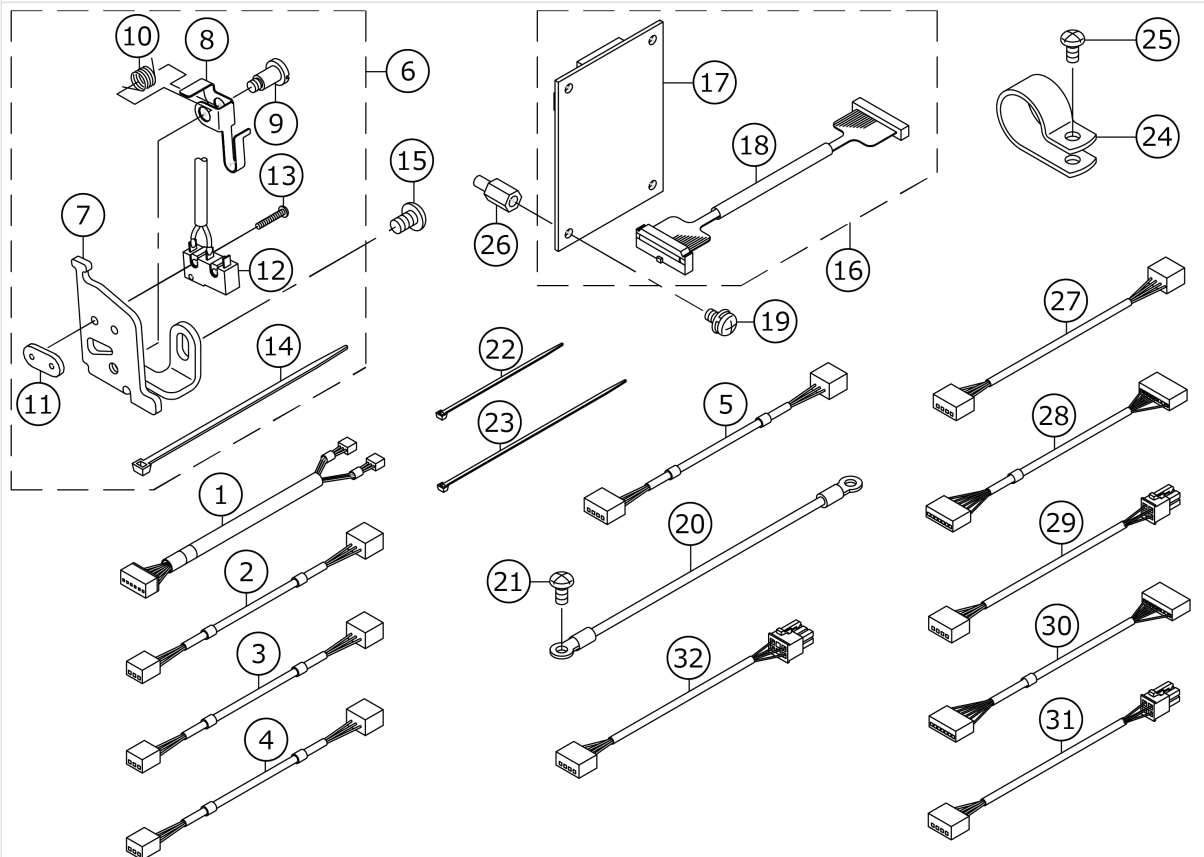
51	SM6030600SP	SCREW M3X0.5 L=6				3.00
52	40066748	FEED PLATE GUIDE B				2.00
53	SM6030602TP	SCREW M3X0.5 L=6				4.00
54	40066745	FEED PLATE GUIDE				2.00
55	SM6030800SP	SCREW M3X0.5 L=8				6.00
56	PA1003027A0	AIR CYLINDER				2.00
57	14411003	CLOTH PRESSER CYLINDER SHAFT				2.00
58	SM8030412TP	SCREW				2.00
59	RE0400000K0	E-RING 4				2.00
60	PJ304040301	UNION ELBOW M3				4.00
61	NM6040003SC	NUT M4				2.00
62	40091158	PRESSURE SLIDE PLATE				2.00
63	40075982	CLOTH PRESSER BASE COVER				2.00
64	SM6041002TP	SCREW M4 L=10				8.00
65	40091339	CLAMP FOOT F				1.00
66	40100422	CLAMP FOOT R				1.00
67	SM6041002TP	SCREW M4 L=10				4.00
68	40107534	CLOTH CLAMP A F				1.00
69	40107532	CLOTH CLAMP A R				1.00
70	SM6040652TP	SCREW M4 L=6				4.00
71	40108792	PRESSURE SPONGE F B				1.00
72	40100426	PRESSURE SPONGE R B				1.00
73	40067940	GUIDE BASE				1.00
74	40067941	CLOTH STOPPER R				1.00
75	40067942	CLOTH STOPPER L				1.00
76	SM6030602TP	SCREW M3X0.5 L=6				2.00
77	SL6040692TN	BOLT				4.00
78	40075977	FINGER GUARD				1.00
79	SM8030302TP	SCREW M3X0.5 L=3				1.00
80	HX00150000C	CABLE CLIP				1.00
81	SL4040891SC	SCREW M4 L=8				1.00
82	EA9500B0100	CABLE BAND				2.00
83	40100420	SPACER				1.00
84	40107703	CLOTH CLAMP SUPPORT A				1.00
85	40107531	CLOTH CLAMP SUPPORT B				1.00
86	SM1030400SP	SCREW M3 L=4				8.00
87	40107530	CLOTH CLAMP SUPPORT C				1.00
88	40107533	CLOTH CLAMP SUPPORT D				1.00
89	40108791	PRESSURE SPONGE F A				1.00

TC CLAMP COMPONENTS



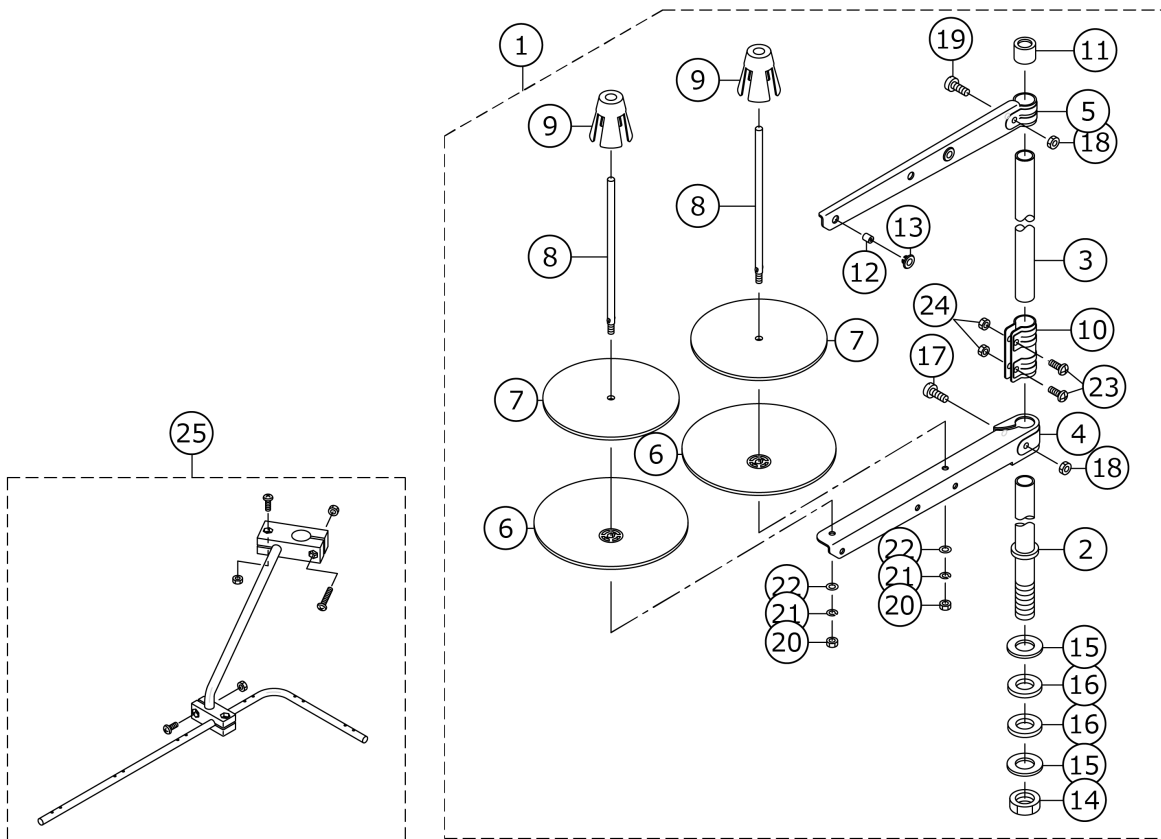
No.	品番	品名	備考	子部品	消耗品	個数
1	40006761	TC CLAMP				1.00
2	40006762	TC CLAMP PLATE ASM.				1.00
3	40006765	TC SUPPERT PLATE ASM.				1.00
4	40012815	TC JOINT ASM.				1.00
5	40015800	TC-LINK ASM.				1.00
6	SM2360110TP	SCREW M1.6X0.2 L=1.35				2.00
7	WP0320500SC	WASHER M3				1.00
8	RE0200000K0	E-RING				2.00
9	SD0400266TP	HINGE SCREW D=4 H=2.6				1.00
10	40010589	TC BASE				1.00
11	SM6040650TP	SCREW M4 L=6				4.00
12	40010590	TC CAM PLATE				1.00
13	40006780	TC SPRING				1.00
14	40006781	TC BASE COVER				1.00
15	SM6020350SP	SCREW M2 L=2.5				4.00
16	40006782	TC NOTCH R				1.00
17	SM4020600SP	SCREW M2 L=6				2.00
18	40006777	TC NOTCH F				1.00
19	SM6020450TP	SCREW				2.00
20	40010527	TC DRIVING ARM ASM.				1.00
21	40010528	TC DRIVING ARM		*		1.00
22	40011152	TC ARM SCREW		*		2.00
23	SD0800406TP	SHOULDER SCREW D8 H4				1.00
24	40006776	TC CONNECTING LINK				1.00
25	SD0350156TP	SHOULDER SCREW				1.00
26	40010530	SENSOR SLIT				1.00
27	SM6030502TP	BOLT M3X5				1.00
28	40075079	STEPPING MOTOR				1.00
29	SM6041200SP	SCREW M4 L=12				4.00
30	40010531	SENSOR INSTALLING BASE				1.00
31	SM6040802TP	SCREW M4X0.7 L=8				1.00
32	HD00057000A	PHOTO SENSOR				2.00
33	SL4031091SC	SCREW M3X10				2.00
34	40010532	DUST GUARD				1.00
35	SM4030601SN	SCREW M3X6				1.00
36	WP0450801SP	WASHER				1.00
37	WP0220300SC	WASHER				2.00

SENSOR COMPONENTS



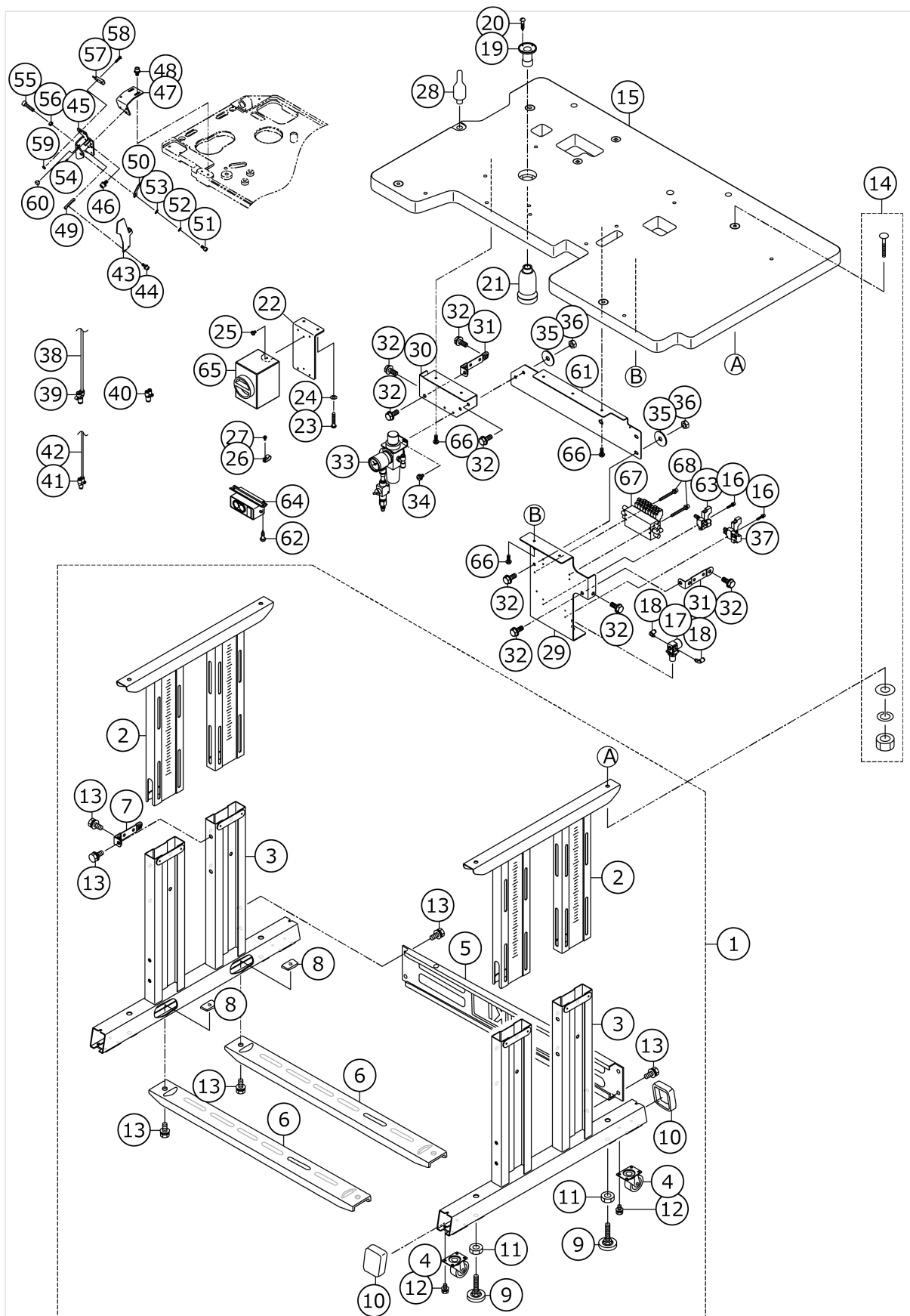
No.	品番	品名	備考	子部品	消耗品	個数
1	40005729	TH SENSOR CABLE ASM.				1.00
2	40005731	Y SENSOR CABLE ASM.				1.00
3	40005732	PF SENSOR CABLE ASM.				1.00
4	40005730	X SENSOR CABLE ASM.				1.00
5	40005733	TT SENSOR CABLE ASM.				1.00
6	40006495	SAFETY SW ASM.				1.00
7	40006496	SAFETY SW BASE		*		1.00
8	23638109	SAFETY SWITCH ARM.		*		1.00
9	40006497	SAFETY SW ARM SHAFT		*		1.00
10	23638208	SAFETY SWITCH SPRING		*		1.00
11	23638406	SAFETY SWITCH NUT		*		1.00
12	40005734	SAFETY SW CABLE ASM.		*		1.00
13	SM4021201SC	SCREW M2 L=12		*		2.00
14	EA9500B0100	CABLE BAND		*		1.00
15	SM4050855SP	SCREW				1.00
16	40005664	INT PCB ASM.				1.00
17	40005660	INT PCB		*		1.00
18	40005725	INT CABLE ASM.		*		1.00
19	SL4040881SF	SCREW M4 L=8				4.00
20	14115554	HEAD GROUND CABLE A ASM.				1.00
21	SM4040855SP	SCREW				1.00
22	EA9500B0100	CABLE BAND				6.00
23	EA9500B0200	CABLE BAND 150				3.00
24	HX00150000K	CABLE CLIP				1.00
25	SM4040855SP	SCREW				1.00
26	HX003390000	STUD				4.00
27	40090633	THREAD CLAMP MOTOR RELAY CORD ASM.				1.00
28	40073632	X ENCODER CABLE ASM.				1.00
29	40090630	X FEED MOTOR RELAY CORD ASM.				1.00
30	40073638	Y ENCODER CABLE ASM.				1.00
31	40090631	Y FEED MOTOR RELAY CORD ASM.				1.00
32	40090632	PRESSER LIFTING MOTOR RELAY CORD ASM.				1.00

THREAD STAND COMPONENTS



No.	品番	品名	備考	子部品	消耗品	個数
1	40096354	THREAD STAND ASM.				1.00
2	40085784	SPOOL REST ROD LOWER		*		1.00
3	40085785	SPOOL REST ROD UPPER		*		1.00
4	40085786	SPOOL REST ARM LOWER		*		1.00
5	40085787	SPOOL REST ARM UPPER		*		1.00
6	40085788	SPOOL REST		*		2.00
7	40085789	SPOOL REST CUSHION		*		2.00
8	40085790	SPOOL PIN		*		2.00
9	40085791	SPOOL RETAINER		*		2.00
10	40085792	SPOOL REST ROD JOINT		*		1.00
11	40085793	SPOOL REST ROD RUBBER CAP		*		1.00
12	40085794	THREAD GUIDE		*		2.00
13	40085795	THREAD GUIDE BUSHING		*		2.00
14	40096325	SPOOL REST ROD NUT		*		1.00
15	WP1612616SE	WASHER 16X30X2.6		*		2.00
16	40085796	SPOOL REST ROD RUBBER CUSHION		*		2.00
17	40096326	SPOOL REST ARM LOWER SCREW		*		1.00
18	NM6050001SE	NUT M5		*		2.00
19	40096327	SPOOL REST ARM UPPER SCREW		*		1.00
20	NM6050001SE	NUT M5		*		2.00
21	WS0510002KN	SPRING WASHER M5		*		2.00
22	WP0531001SC	WASHER M5		*		2.00
23	SM4051405SE	SCREW M5 L=14		*		2.00
24	NM6050001SE	NUT M5		*		2.00
25	26910059	THREAD GUIDE ARM ASM.				1.00

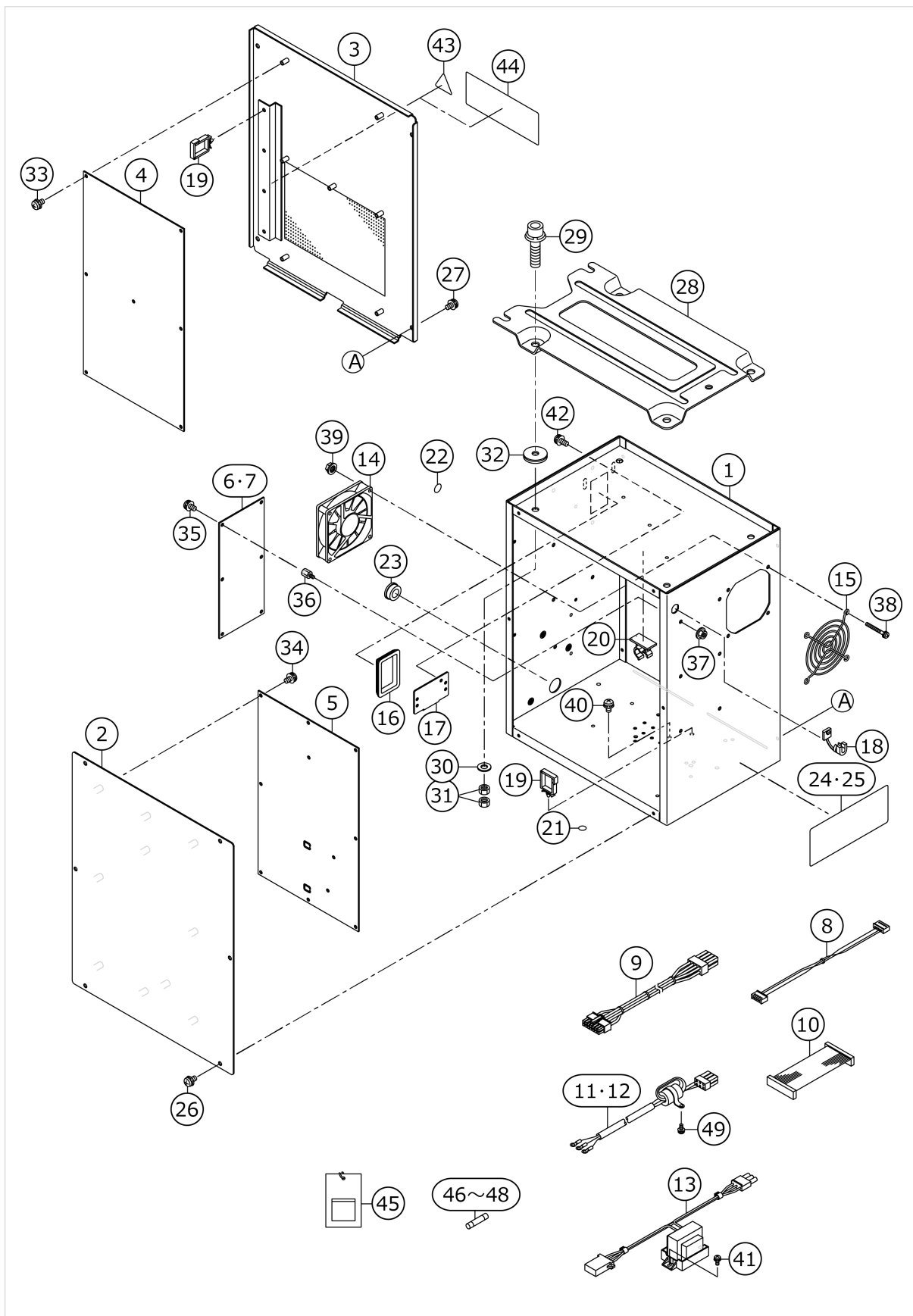
TABLE STAND COMPONENTS



No.	品番	品名	備考	子部品	消耗品	個数
1	B8101221DA0	STAND ASM.				1.00
2	B8102221DA0	UPPER STAND COMPL.		*		2.00
3	B8103221DA0	STAND COMPL.		*		2.00
4	B8150221D00	CASTER		*		4.00
5	11158300	STAND SIDE SUPPORT		*		1.00
6	11158409	STAND SIDE SUPPORT		*		2.00
7	11158516	UPPER STAND PLATE		*		4.00
8	17007402	NUT		*		4.00
9	17833658	ADJUSTING BOLT ASM.		*		4.00
10	B8110373N00	CAP		*		4.00
11	NM6120003SE	NUT M12		*		4.00
12	SL9061293SE	WASHER HEXAGONAL BOLT		*		16.00
13	SL9082093SE	SCREW		*		20.00
14	MTJMS00000S	SCREW SET				4.00
15	40103225	TABLE				1.00
16	SL6031642TN	SCREW				4.00
17	PF0205010C0	AIR REGULATOR				1.00
18	PJ304040504	ELBOW UNION				2.00
19	B8202205000	OIL MANAGEMENT				1.00
20	SK3311600SC	WOOD SCREW D=3.1 L=16				4.00
21	B9121012000	OIL CAN				1.00
22	40082265	MAIN SWITCH BRACKET	FOR CE			1.00
23	SK3513201SE	WOOD SCREW D=5.1 L=32	FOR CE			2.00
24	WP0641600SC	WASHEW 6.4X12.5X1.6	FOR CE			2.00
25	SM4040655SN	SCREW M4X0.7 L=6	FOR CE			2.00
26	HX00150000D	CABLE CLIP	FOR CE			4.00
27	SL4041091SC	SCREW M4 L=10	FOR CE			4.00
28	14101208	HEAD SUPPORT BAR				1.00
29	40100430	BRIDGE PLATE R				1.00
30	40093485	BRIDGE PLATE L				1.00
31	11158516	UPPER STAND PLATE				2.00
32	SL9082093SE	SCREW				10.00
33	40091545	FILTER REGULATER ASM.				1.00
34	SL4051091SC	SCREW M5X0.8 L=10				2.00
35	WP0852086SC	WASHER M8				4.00
36	NM6080001SC	NUT M8X1.25				4.00
37	40091549	VALVE ASSY B				1.00
38	BT0600401EB	TUBE				2.00
39	PJ308060003	UNION Y				1.00
40	PJ308060005	DIFFERENT DIAMETER UNION Y				1.00
41	PJ308040002	QUICK COUPLING				1.00
42	BT0400251EB	URETHANE HOSE BLACK				16.00
43	40067545	START SW				1.00
44	SM6040802TN	SCREW				2.00
45	40067541	START SW BRACKET B				1.00
46	SL6051092TN	BOLT				2.00
47	40067550	START SW BRACKET A				1.00
48	SL6051092TN	BOLT				2.00
49	17079906	START SW FULCRUM SHAFT				1.00
50	17079807	START SWITCH RETURN SPRING				1.00

51	SM6040602TN	BOLT				2.00
52	WS0410002KN	SPRING WASHER				2.00
53	WP0430800SC	WASHER M4				2.00
54	PS0300102K0	SPRING PIN 3.0X10				4.00
55	SM6052002TN	BOLT				1.00
56	NM6050001SC	NUT M5				1.00
57	40090644	START SW SENSOR ASSY				1.00
58	SM4031201SC	SCREW M3X12				1.00
59	NM6030003SC	NUT M3				1.00
60	22955900	WIPER RUBBER A				1.00
61	40101999	BRIDGE PLATE				1.00
62	SK3512001SE	WOOD SCREW D=5.1 L=20	FOR GENERAL			2.00
63	40091548	VALVE ASSY A				1.00
64	HA004250000	SWITCH	FOR GENERAL			1.00
65	HA005820000	SWITCH	FOR CE			1.00
66	SK3513201SE	WOOD SCREW D=5.1 L=32				7.00
67	40109086	MANIFOLD_VALVE_ASSY				1.00
68	SL6044092TN	SCREW				4.00

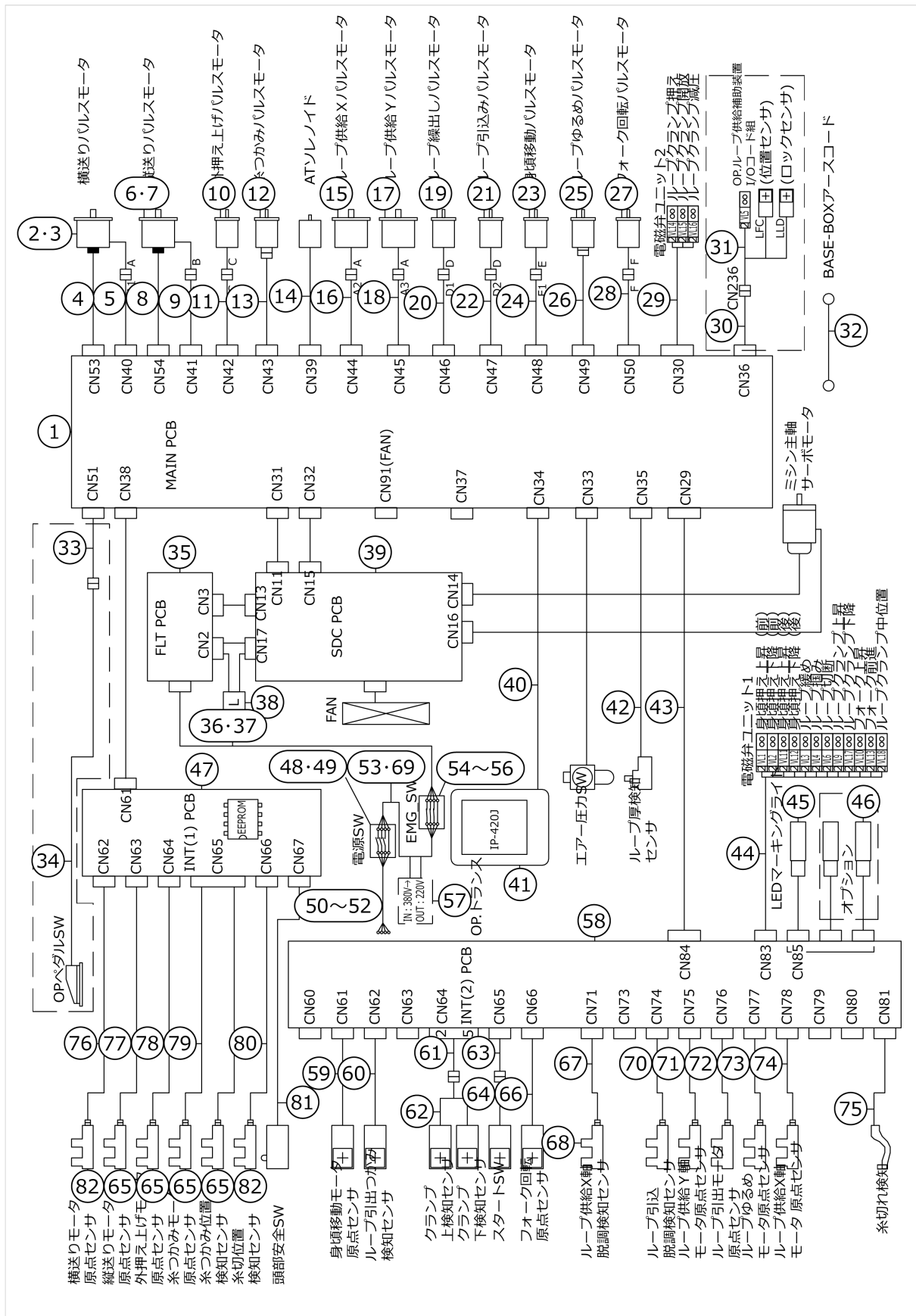
CONTROL BOX COMPONENTS



No.	品番	品名	備考	子部品	消耗品	個数
1	40055355	CONTROL BOX				1.00
2	40055356	CONTROL BOX FRONT COVER				1.00
3	40055357	CONTROL BOX REAR COVER				1.00
4	40101200	MAIN PCB ASSY				1.00
5	40082758	SDC PCB A ASSY				1.00
6	40000046	FLT-S PCB A ASS'Y	FOR MC-615 CTL BOX A ASM.(1- PHASE)			1.00
7	40000058	FLT-T PCB A ASS'Y CIRCUIT DIAGRAM	FOR MC-615 CTL BOX B ASM.(3- PHASE)			1.00
8	40005394	FLT-SDC CORD S ASS'Y				1.00
9	40005726	SDC-MAIN CORD P ASSY				1.00
10	40005727	SDC-MAIN CORD S ASSY				1.00
11	40090587	POWER CORD A ASSY	FOR MC-615 CTL BOX A ASM.(1- PHASE)			1.00
12	40090588	POWER CORD B ASSY	FOR MC-615 CTL BOX B ASM.(3- PHASE)			1.00
13	40090589	REACTOR				1.00
14	40005401	FAN MOTOR ASS'Y				1.00
15	KM000000480	FAN MOTOR				1.00
16	HX004070000	BUSH				1.00
17	17845009	CORD FITTING PLATE				1.00
18	KX000000320	BUSH				1.00
19	HX005110000	WIRE SADDLE				5.00
20	KX000000330	WIRE SADDLE				1.00
21	E9567319000	EARTH MARK				1.00
22	40003458	MASK SEAL				16.00
23	HX00326000K	GROMMET				1.00
24	40057278	ELECTRICAL RATING LABEL CE UNIVERSAL	FOR MC-615 CTL BOX A ASM.(1- PHASE)			1.00
25	40051640	ELECTRICAL RATING LABEL UNIVERSAL	FOR MC-615 CTL BOX B ASM.(3- PHASE)			1.00
26	SL4040891SC	SCREW M4 L=8				6.00
27	SL4040891SC	SCREW M4 L=8				4.00
28	M3801476000	CONTROL BOX FITTING PLATE				1.00
29	SL6083092TN	SCREW				4.00
30	WP0841601SC	WASHER 8.4X17.4X1.6				4.00
31	NM6080001SC	NUT M8X1.25				8.00
32	M4206461000	WASHER				4.00
33	SL4040881SC	SCREW M4 L=8				4.00
34	SL4040881SC	SCREW M4 L=8				10.00
35	SL4040881SC	SCREW M4 L=8				6.00
36	HX003390000	STUD				6.00
37	NM3040520SC	NUT M4				6.00
38	SL4043591SC	SCREW				4.00

39	NM3040520SC	NUT M4			4.00
40	SL4040891SC	SCREW M4 L=8			2.00
41	SL4040881SC	SCREW M4 L=8			2.00
42	SL4041091SC	SCREW M4 L=10			2.00
43	CM300100001	LABEL	FOR MC-615 CTL BOX A ASM.(1- PHASE)		1.00
44	CM300100402	VOLTAGE DANGER LABEL 3 SMALL	FOR MC-615 CTL BOX B ASM.(3- PHASE)		1.00
45	M300451100A	VOLTAGE INDICATION CARD A			1.00
46	HF00130315S	FUSE 3.15A 250V REF. NO.112			1.00
47	HF0013050P0	FUSE 5A			1.00
48	HF003000200	FUSE 2A (220/240V)			1.00
49	SL4041081SC	SCREW M4 L=10	FOR MC-615 CTL BOX A ASM.(1- PHASE)		1.00

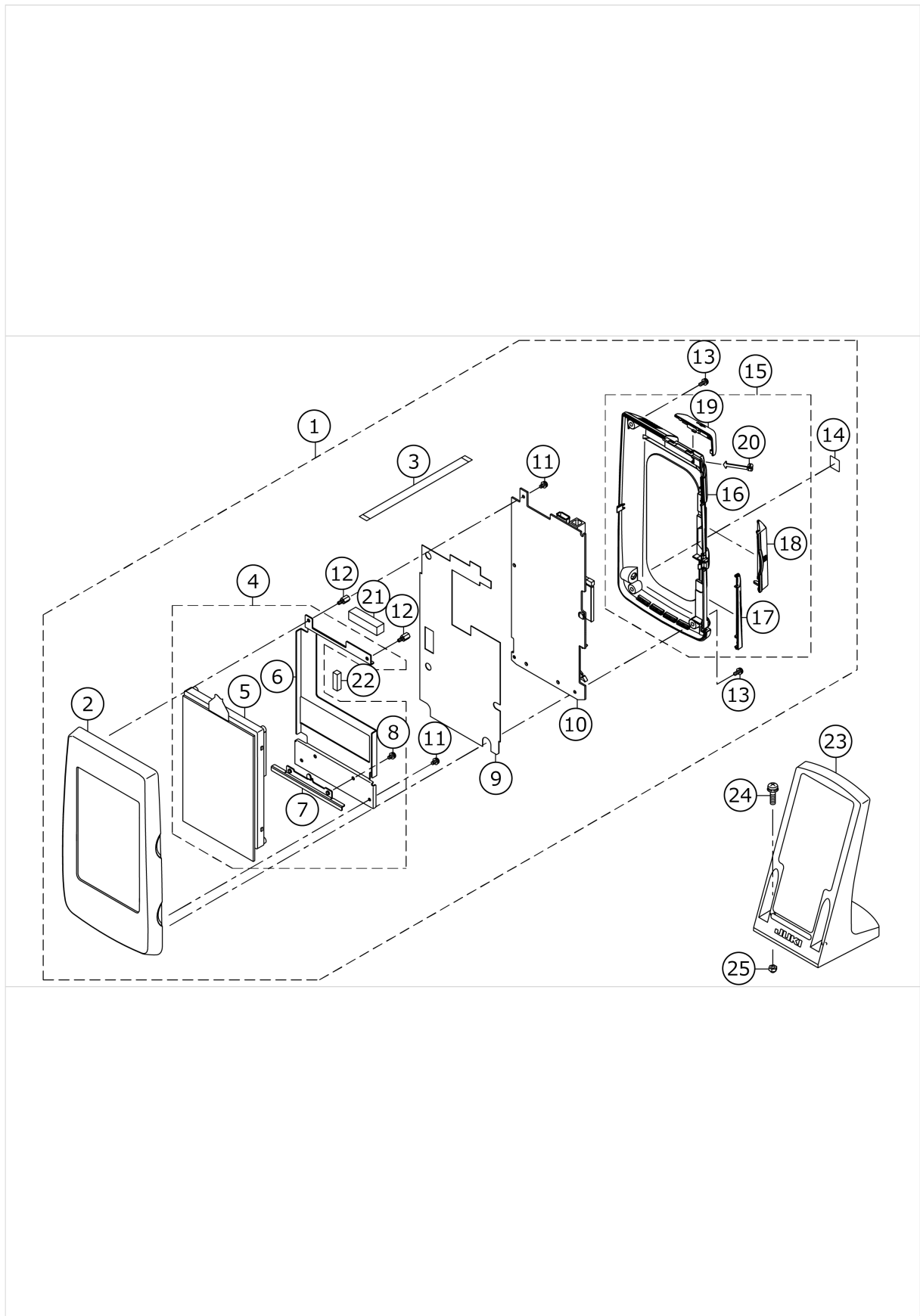
WIRING DIAGRAM



No.	品番	品名	備考	子部品	消耗品	個数
1	40101200	MAIN PCB ASSY				1.00
2	40090626	X FEED MOTOR				1.00
3	HD002780000	SENSOR				1.00
4	40073632	X ENCODER CABLE ASM.				1.00
5	40090630	X FEED MOTOR RELAY CORD				1.00
6	40090627	Y FEED MOTOR				1.00
7	HD002780000	SENSOR				1.00
8	40073638	Y ENCODER CABLE ASM.				1.00
9	40090631	Y FEED MOTOR RELAY CORD				1.00
10	40090628	PRESSER LIFT MOTOR				1.00
11	40090632	PRESSER LIFTING MOTOR RELAY CORD				1.00
12	40075079	STEPPING MOTOR				1.00
13	40090633	THREAD CLAMP MOTOR RELAY CORD				1.00
14	40006628	AT_SOLENOID				1.00
15	40090626	X FEED MOTOR				1.00
16	40090569	LOOP SUPPLY MOTOR(X)RELAY CORD ASM.				1.00
17	40090626	X FEED MOTOR				1.00
18	40090570	LOOP SUPPLY MOTOR(Y) RELAY CORD				1.00
19	40090634	LOOP FEED MOTOR				1.00
20	40090571	LOOP FEED MOTOR RELAY CORD ASSY				1.00
21	40090634	LOOP FEED MOTOR				1.00
22	40090572	LOOP PULL MOTOR RELAY CORD ASSY				1.00
23	40090635	CLOTH FEED MOTOR				1.00
24	40090573	CLOTH FEED MOTOR RELAY CORD ASSY				1.00
25	40044473	ROLLER STACKER MOTOR				1.00
26	40090574	LOOP LOOSE MOTOR RELAY CORD ASSY				1.00
27	40090636	FORK TURN MOTOR				1.00
28	40090575	FORK TURN MOTOR RELAY CORD ASSY				1.00
29	40090650	AIR SOLENOID VALVE CORD 2				1.00
30	40090653	LOOP FEED ASSIST DEVICE RELAY ASSY				1.00
31	40090652	LOOP FEED ASSIST DEVICE I/O CORD ASSY				1.00
32	M90206200A0	EARTH CORD ASM.				1.00
33	40073659	SW RELAY CORD ASM.				1.00
34	40090639	FOOT SWITCH ASSY				1.00
35	40000046	FLT-S PCB A ASSY				1.00
36	40090587	POWER CORD A ASSY	FOR 1-PHASE (200 ~ 240V)			1.00
37	40090588	POWER CORD B ASSY	FOR 3-PHASE (200 ~ 240V),1-PHASE (100 ~ 120V)			1.00
38	40090589	REACTOR				1.00
39	40082758	SDC PCB A ASSY				1.00
40	40065566	PANEL CABLE D ASM.				1.00
41	40090622	IP-420J PANEL ASM.				1.00
42	40090638	LOOP SENSOR ASSY				1.00
43	40043977	INT-I/F CORD A ASM.				1.00
44	40090649	AIR SOLENOID VALVE CORD				1.00
45	40090637	LED MARKING				1.00
46	40090637	LED MARKING				1.00
47	40005664	INT PCB ASM.				1.00

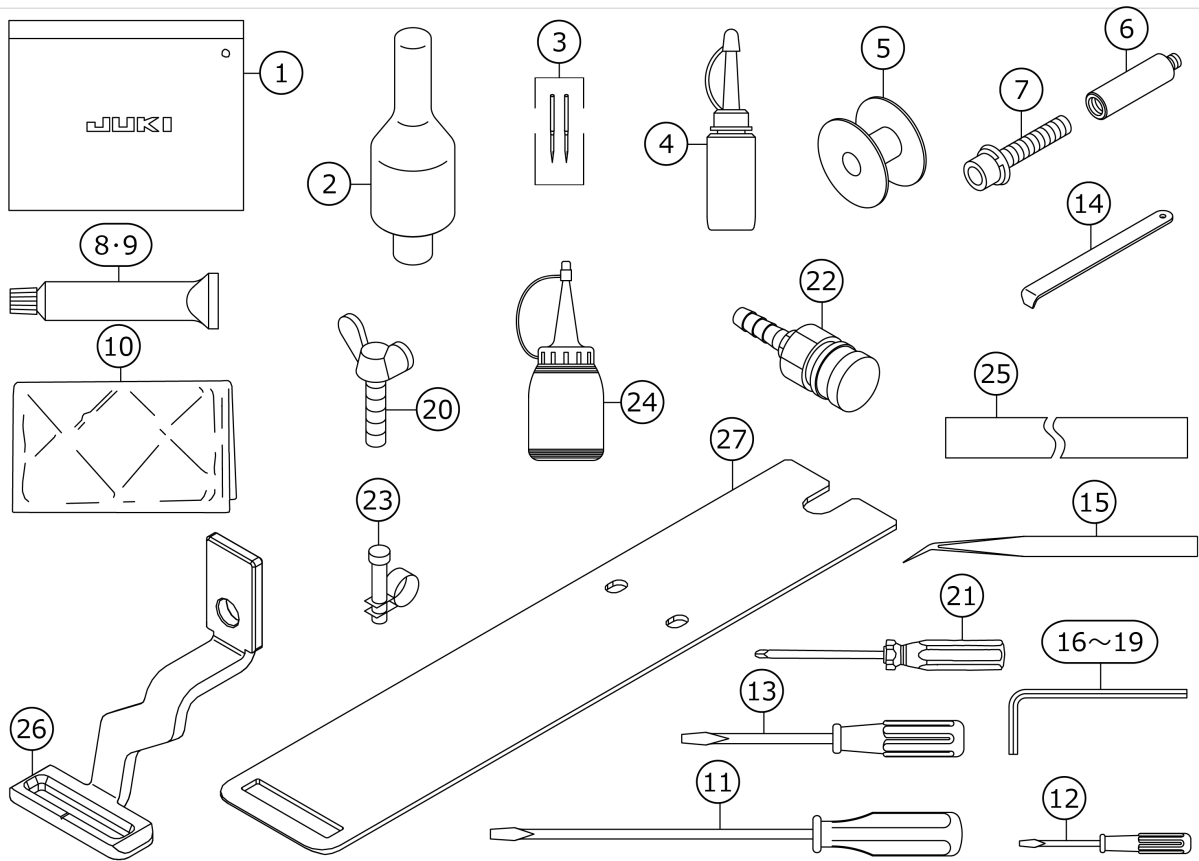
48	HA004250000	SWITCH	FOR GENERAL			1.00
49	HA005820000	SWITCH	FOR CE			1.00
50	40058397	AC POWER CORD B ASM.	FOR 1-PHASE (200 ~ 240V)			1.00
51	40058398	AC POWER CORD C ASM.	FOR 3-PHASE (200 ~ 240V),1-PHASE (100 ~ 120V)			1.00
52	40070548	AC POWER CORD E ASM.	FOR 380 ~ 415V			1.00
53	40090584	EMG POWER CORD ASSY	FOR GENERAL			1.00
54	HA006280000	SWITCH				1.00
55	HA006280010	SWITCH				1.00
56	HA006280020	SWITCH				1.00
57	40005422	HIGH VOLTAGE TRANSFORMER ASSY	FOR 380 ~ 415V			1.00
58	40025260	INT PCB ASSY				1.00
59	40090642	CLOTH FEED ORG SENSOR ASSY				1.00
60	40090643	LOOP CATCH DETECT SENSOR ASSY				1.00
61	40090657	LOOP CLAMP U/D SENSOR RELAY CORD ASM.				1.00
62	40090647	LOOP CLAMP U/D DETECT SENSOR ASM.				1.00
63	40090655	START SW RELAY CORD ASSY				1.00
64	40090644	START SW SENSOR ASSY				1.00
65	HD00057000A	PHOTO SENSOR				4.00
66	40090645	FORK TURN MOTOR ORG SENSOR ASSY				1.00
67	40090577	LOOP SUPPLY MOTOR(X)STEP-OUT CORD ASM.				1.00
68	HD00057000A	PHOTO SENSOR				6.00
69	40107527	EMG POWER CORD CE ASSY	FOR CE			1.00
70	40090581	LOOP PULL MOTOR STEP-OUT SENSOR CORD ASM				1.00
71	40090578	LOOP SUPPLY MOTOR(Y)ORG SENSOR CORD ASM.				1.00
72	40090580	LOOP PULL MOTOR ORG SENSOR CORD ASM.				1.00
73	40090582	LOOP LOOSE MOTOR ORG SENSOR CORD ASM.				1.00
74	40090576	LOOP SUPPLY MOTOR(X)ORG SENSOR CORD ASM.				1.00
75	40090646	THB SENSOR CABLE ASSY				1.00
76	40005730	X SENSOR CABLE ASM.				1.00
77	40005731	Y SENSOR CABLE ASM.				1.00
78	40005732	PF SENSOR CABLE ASM.				1.00
79	40005729	TH SENSOR CABLE ASM.				1.00
80	40005733	TT SENSOR CABLE ASM.				1.00
81	40005734	SAFETY SW CABLE ASM.				1.00
82	HD002230000	PHOTO SENSOR				2.00

OPERATION PANEL COMPONENTS



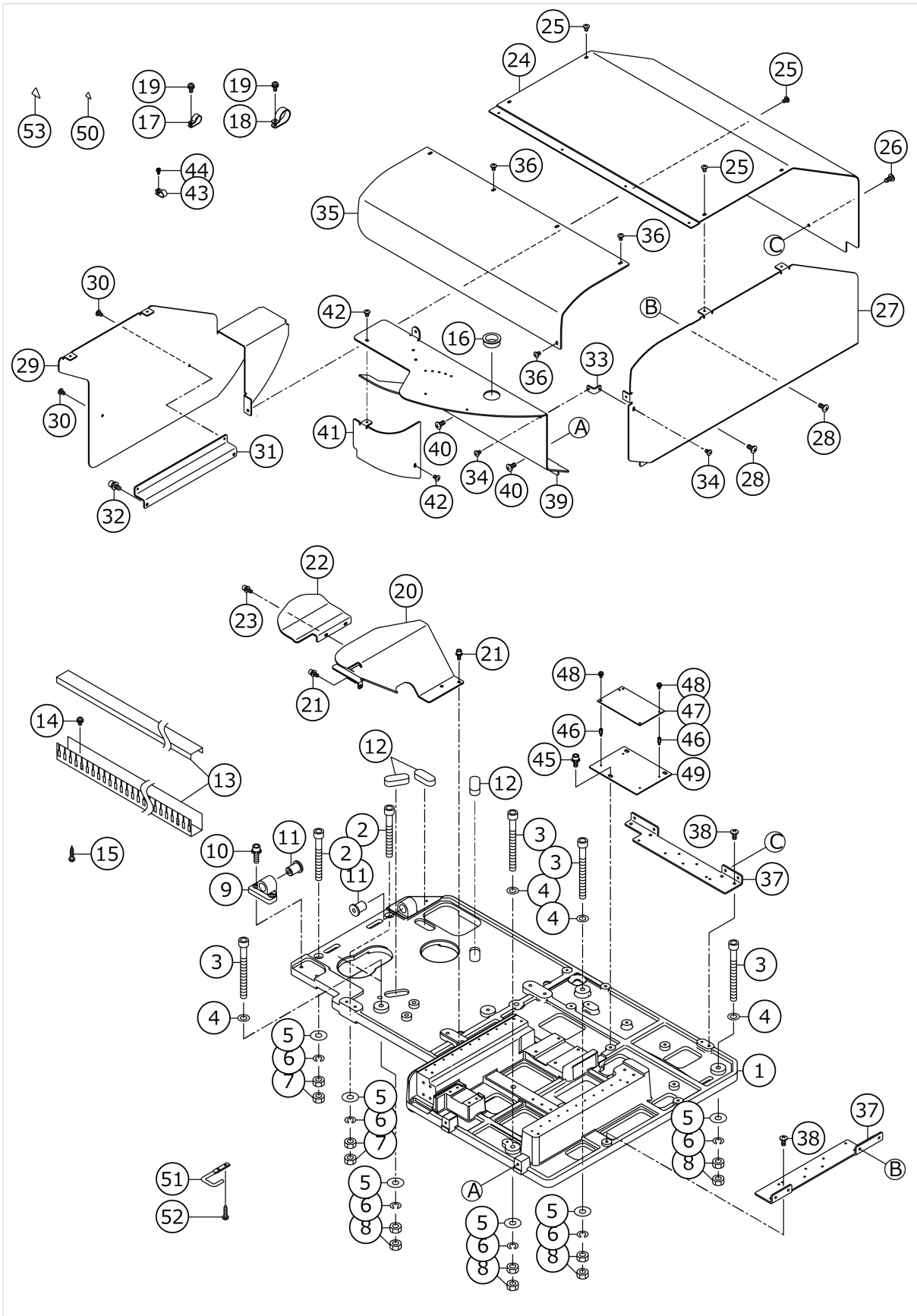
No.	品番	品名	備考	子部品	消耗品	個数
1	40086192	PANEL ASSY				1.00
2	40078163	FRONT CASE		*		1.00
3	HW002180200	FLAT CABLE		*		1.00
4	40080800	LCD ASSY		*		1.00
5	40086541	LCD TOUCH PANEL ASSY	TECHNICAL INFORMATION (A16-029)	*		1.00
6	40083668	LCD BRACKET	TECHNICAL INFORMATION (A16-029)	*		1.00
7	40083666	LCD STAY		*		1.00
8	SL4030681SC	SCREW M3 L=6		*		2.00
9	40078168	INSULATION SHEET		*		1.00
10	40083960	PANEL PCB ASSY		*		1.00
11	SL4030681SC	SCREW M3 L=6		*		3.00
12	HX00354000B	PCB SUPPORT L=8MM		*		2.00
13	SL4030881SC	SCREW M3 L=8		*		4.00
14	CM600100101	WEEE MARK LABEL S		*		1.00
15	40080799	REAR CASE ASSY		*		1.00
16	40078166	REAR CASE		*		1.00
17	40078162	CONNECTOR COVER		*		1.00
18	40083667	CF COVER		*		1.00
19	40078167	USB COVER		*		1.00
20	40078164	UNITY STRING		*		1.00
21	40096507	GASKET A		*		1.00
22	40096508	GASKET B		*		1.00
23	40035024	OPERATION BOX FIXED PLATE(B)ASM.				1.00
24	SL4042591SC	SCREW M4 L=25				2.00
25	NM7040062SB	NUT M4				2.00

ACCESSORIES PARTS COMPONENTS



No.	品番	品名	備考	子部品	消耗品	個数
1	22932800	ACCESSORIE BAG				1.00
2	14101208	HEAD SUPPORT BAR				1.00
3	MDP170B1402	NEEDLE DPX17#14-2				1.00
4	B91212200A0	OILER (CONTAINING NO.2 OIL)				1.00
5	13812102	BOBBIN				1.00
6	40036110	GREASE JOINT B				1.00
7	SM6084002TN	SCREW M8 L=40				1.00
8	40013640	JUKI GREASE B TUBE				1.00
9	40006323	JUKI GREASE A TUBE				1.00
10	40049817	COVER				1.00
11	22933006	SCREW DRIVER LARGE				1.00
12	22933204	SCREW DRIVER SMALL				1.00
13	22933105	SCREW DRIVER MIDDLE				1.00
14	B9101490000	DRIVER				1.00
15	12288403	TWEEZERS				1.00
16	J106600000C	HEXAGONAL WRENCH KEY 2.5				1.00
17	J106600000D	HEXAGONAL WRENCH KEY				1.00
18	J106600000F	HEXAGONAL WRENCH KEY				1.00
19	J106600000G	HEXAGONAL WRENCH KEY				1.00
20	GES01022000	VERTICAL ADJUSTMENT SCREW				2.00
21	J1071000000	CROSS SCREW DRIVER 2				1.00
22	PJ309520001	SOCKET				1.00
23	PB000010000	HOSE BAND				1.00
24	J1067000A00	OILER				1.00
25	40066088	TAPE				0.40
26	40066686	WORK_CLAMP_FOOT_B				1.00
27	40066744	FEED_PLATE_B				1.00

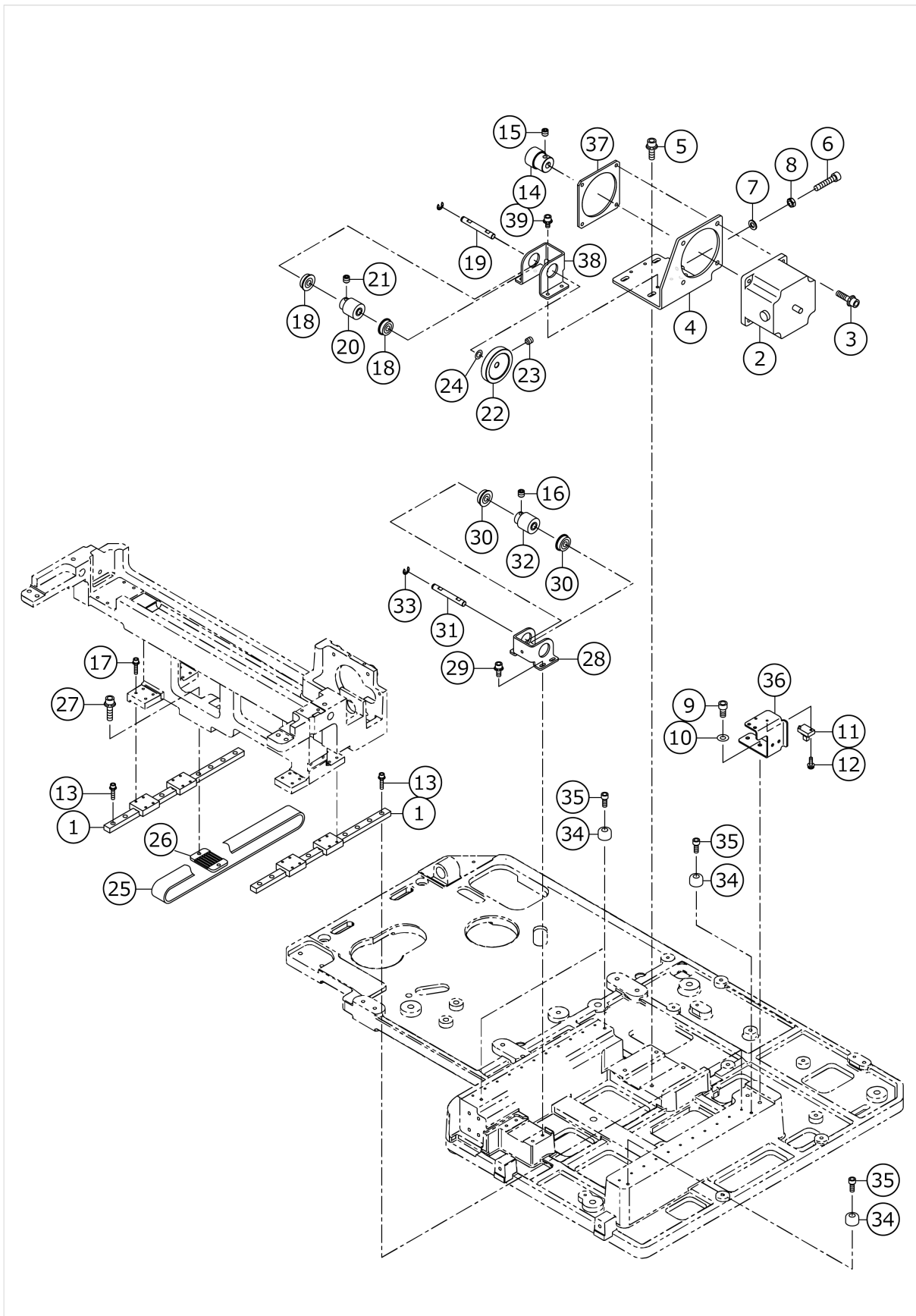
MECHANISM & MISCELLANEOUS COVER COMPONENTS



No.	品番	品名	備考	子部品	消耗品	個数
1	40093466	UNIT BASE				1.00
2	SM6087002TN	SCREW M8 L=70				2.00
3	SM6088502TP	SCREW M8 L=85				4.00
4	WP0841601SC	WASHER 8.4X17.4X1.6				4.00
5	WP0852086SC	WASHER M8				6.00
6	WS0820002KN	SPRING WASHER M8				6.00
7	NM6080001SC	NUT M8X1.25				4.00
8	NM6080003SC	NUT M8				8.00
9	G5506254000	FRAME FIXING HINGE				1.00
10	SL6062042TN	BOLT				2.00
11	40068638	BASE PLATE BUSH				2.00
12	40093468	RUBBER PAD				3.00
13	HX000130000	CONDUIT				0.25
14	SL4041091SC	SCREW M4 L=10				4.00
15	SK3382001SE	SCREW D=3.8 L=20				3.00
16	HX00188000E	BUSH				1.00
17	HX00150000H	CABLE CLIP				3.00
18	HX00150000N	CABLE CLIP				2.00
19	SL4041091SC	SCREW M4 L=10				5.00
20	40092994	SAFETY COVER				1.00
21	SL6041092TN	SCREW				3.00
22	40092995	SAFETY COVER SUB				1.00
23	SL6041092TN	SCREW				2.00
24	40093438	ROOF COVER				1.00
25	SM0040601SC	SCREW M4X0.7 L=6				5.00
26	SM0051001SC	SCREW				2.00
27	40093437	RIGHT COVER				1.00
28	SM0051001SC	SCREW				2.00
29	40093435	LEFT COVER				1.00
30	SM0040601SC	SCREW M4X0.7 L=6				2.00
31	40093436	LEFT COVER BR				1.00
32	SL6051292TN	BOLT				2.00
33	40075985	COVER ANGLE				1.00
34	SM0040601SC	SCREW M4X0.7 L=6				2.00
35	40093439	WINDOW COVER				1.00
36	SM0040601SC	SCREW M4X0.7 L=6				6.00
37	40093450	SBC BRACKET L				2.00
38	SM0051001SC	SCREW				4.00
39	40103226	FRONT COVER				1.00
40	SM0051001SC	SCREW				2.00
41	40093434	FRONT UNDER COVER				1.00
42	SM0040601SC	SCREW M4X0.7 L=6				2.00
43	HX00150000D	CABLE CLIP				4.00
44	SL4040891SC	SCREW M4 L=8				4.00
45	SL6051292TN	BOLT				3.00
46	HX00056000B	SPACER				4.00
47	40025260	INT PCB ASSY				1.00
48	SL4030691SC	SCREW M3X6				4.00
49	40100431	INT PCB PLATE				1.00
50	CM300200001	ATTENTION SEAL				3.00

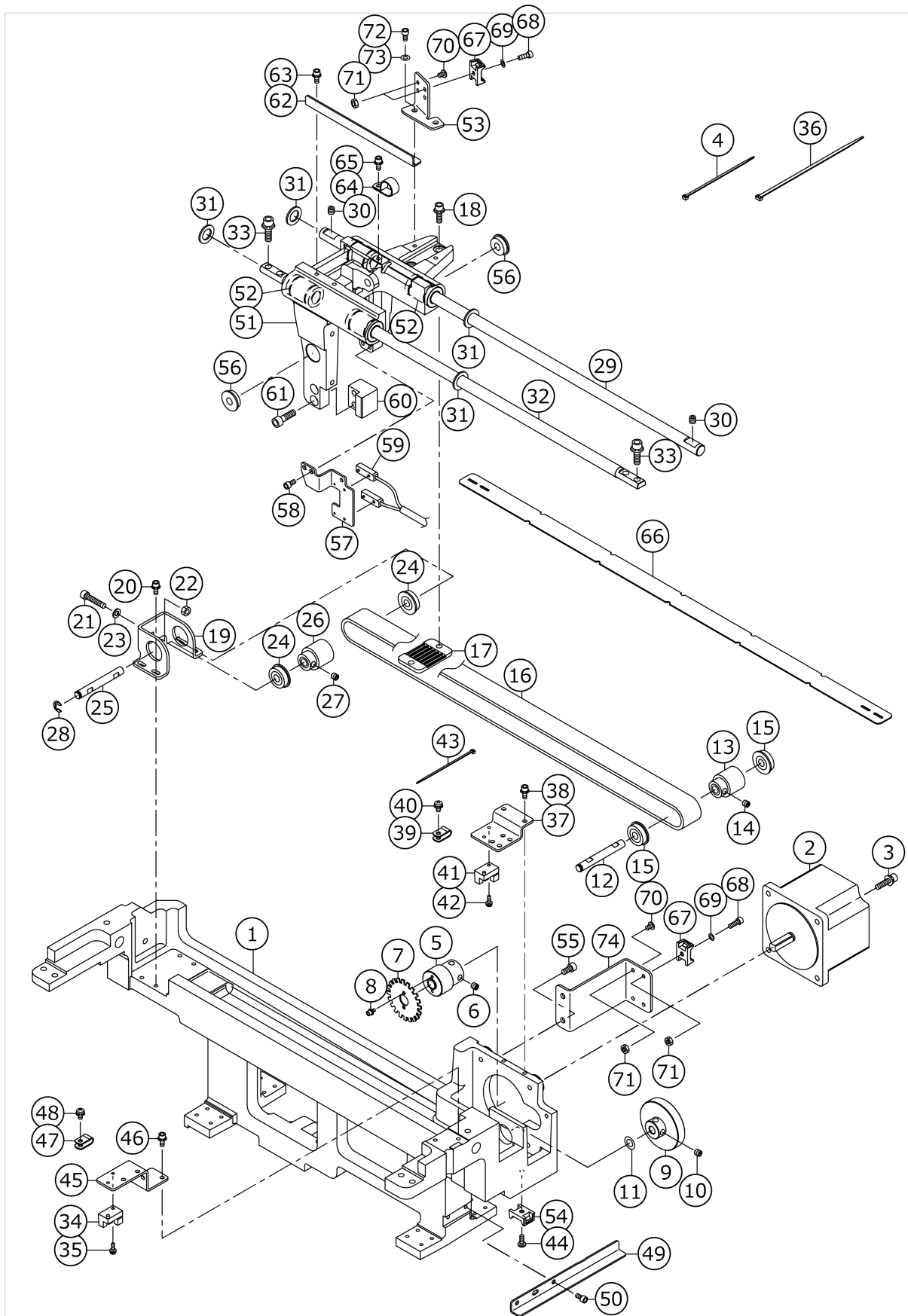
51	40110938	LOOP GUIDE	WITHOUT LOOP P ULL SUPPORT(AB -1351**A*)			1.00
52	SK3382001SE	SCREW D=3.8 L=20	WITHOUT LOOP P ULL SUPPORT(AB -1351**A*)			2.00
53	CM300200002	CAUTION LABEL(25)				4.00

Y MOVEMENT COMPONENTS



No.	品番	品名	備考	子部品	消耗品	個数
1	40109547	L_LINEAR_GUIDE				2.00
2	40090626	X FEED MOTOR				1.00
3	SL6052092TN	SCREW				4.00
4	40111144	Y_MOTOR_BRAKET				1.00
5	SL6051692TN	BOLT				4.00
6	SM6052502TN	HEXAGONAL -HOLE BOLT				1.00
7	WP0531001SC	WASHER				1.00
8	NM6050003SC	NUT M5X0.8				1.00
9	SM6051002TN	BOLT				2.00
10	WP0531001SC	WASHER				2.00
11	HD00057000A	PHOTO SENSOR				1.00
12	SL4031081SC	SCREW M3X10				2.00
13	SL6031492TN	SCREW M3 L=14				16.00
14	40066844	DRIVE GEAR				1.00
15	SM8060602TP	SCREW M6X6				2.00
16	SM8060612TP	SCREW M6 L=6				2.00
17	SL6031492TN	SCREW M3 L=14				16.00
18	SB108000500	RADIAL BEARING				2.00
19	40077178	DRIVE SPROCKET SHAFT				1.00
20	40109552	DRIVE_SPROCKET				1.00
21	SM8060612TP	SCREW M6 L=6				2.00
22	40066845	IDLER GEAR 66				1.00
23	SM8060612TP	SCREW M6 L=6				2.00
24	WP0820526SD	WASHER 8.2X14X0.5				1.00
25	40109551	TIMING_BELT				1.00
26	40032219	BELT RECEIVER				1.00
27	SL6052092TN	SCREW				2.00
28	40032191	Y DRIVEN BRACKET				1.00
29	SL6041092TN	SCREW				4.00
30	SB108000500	RADIAL BEARING				2.00
31	40077178	DRIVE SPROCKET SHAFT				1.00
32	40109552	DRIVE_SPROCKET				1.00
33	RE0600000K0	E-RING 6				1.00
34	G5009172000	STOPPER RUBBER				4.00
35	SL6041242TN	BOLT				4.00
36	40091420	SENSOR BRACKET Y				1.00
37	40123249	Y_MOTOR_NUT_PLATE				1.00
38	40111143	Y_DRIVEN_BRAKET				1.00
39	SL6040892TN	BOLT				4.00

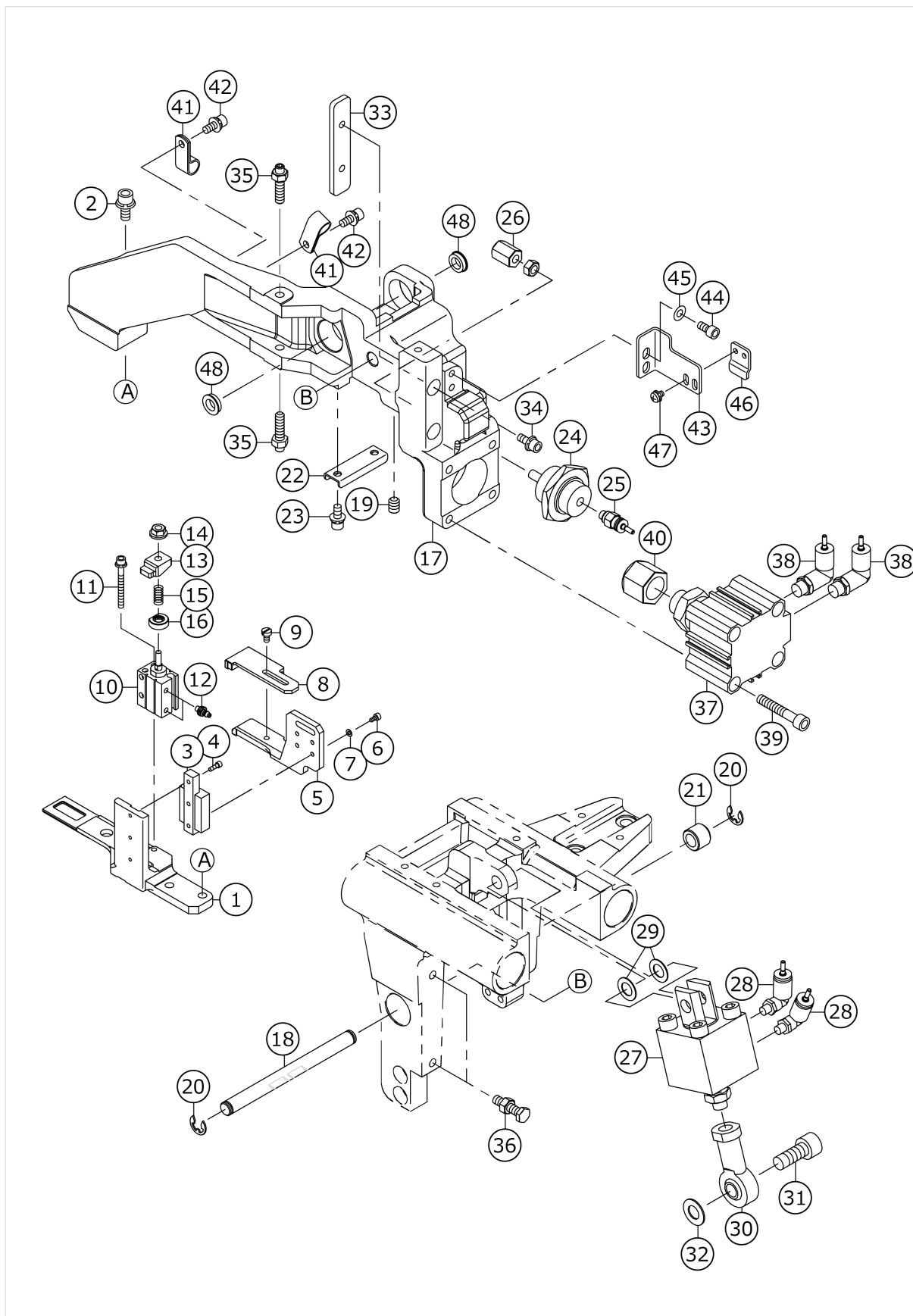
X MOVEMENT COMPONENTS



No.	品番	品名	備考	子部品	消耗品	個数
1	40091457	XY BASE				1.00
2	40090626	X FEED MOTOR				1.00
3	SL6052092TN	SCREW				4.00
4	EA9500B0100	CABLE BAND				20.00
5	40066844	DRIVE GEAR				1.00
6	SM8060602TP	SCREW M6X6				2.00
7	40078127	DETECTIVE PLATE				1.00
8	SM6030502TN	SCREW M3 L=5				2.00
9	40066845	IDLER GEAR 66				1.00
10	SM8060612TP	SCREW M6 L=6				2.00
11	WP0820526SD	WASHER 8.2X14X0.5				1.00
12	40077178	DRIVE SPROCKET SHAFT				1.00
13	40109552	DRIVE_SPROCKET				1.00
14	SM8060612TP	SCREW M6 L=6				2.00
15	SB108000500	RADIAL BEARING				2.00
16	40109550	TIMING_BELT				1.00
17	40032219	BELT RECEIVER				1.00
18	SL6051692TN	BOLT				2.00
19	40032191	Y DRIVEN BRACKET				1.00
20	SL6041092TN	SCREW				4.00
21	SM6052502TN	HEXAGONAL-HOLE BOLT				1.00
22	NM6050001SC	NUT M5				1.00
23	WP0531001SC	WASHER				1.00
24	SB108000500	RADIAL BEARING				2.00
25	40077178	DRIVE SPROCKET SHAFT				1.00
26	40109552	DRIVE_SPROCKET				1.00
27	SM8060612TP	SCREW M6 L=6				2.00
28	RE0600000K0	E-RING 6				1.00
29	40111404	X_GUIDE_SHAFT_A				1.00
30	SM8060612TP	SCREW M6 L=6				2.00
31	11234408	SOLENOID RUBBER				4.00
32	40091449	X GUIDE SHAFT B				1.00
33	SL6062092TN	SCREW M6 L=20				4.00
34	HD00057000A	PHOTO SENSOR				1.00
35	SL4031081SC	SCREW M3X10				1.00
36	EA9500B0200	CABLE BAND 150				20.00
37	40091455	SENSOR PLATE XD				1.00
38	SM6040802TN	SCREW				2.00
39	HX00150000A	CABLE CLAMP				1.00
40	SL4040891SC	SCREW M4 L=8				1.00
41	HD00057000A	PHOTO SENSOR				1.00
42	SL4031081SC	SCREW M3X10				1.00
43	EA9500B0100	CABLE BAND				1.00
44	SM4041001SN	SCREW M4X0.7 L=10				1.00
45	40091456	SENSOR PLATE X HP				1.00
46	SM6040802TN	SCREW				2.00
47	HX00150000A	CABLE CLAMP				2.00
48	SL4040891SC	SCREW M4 L=8				2.00
49	40108790	Y HP SENSOR PLATE				1.00
50	SM6040802TN	SCREW				2.00

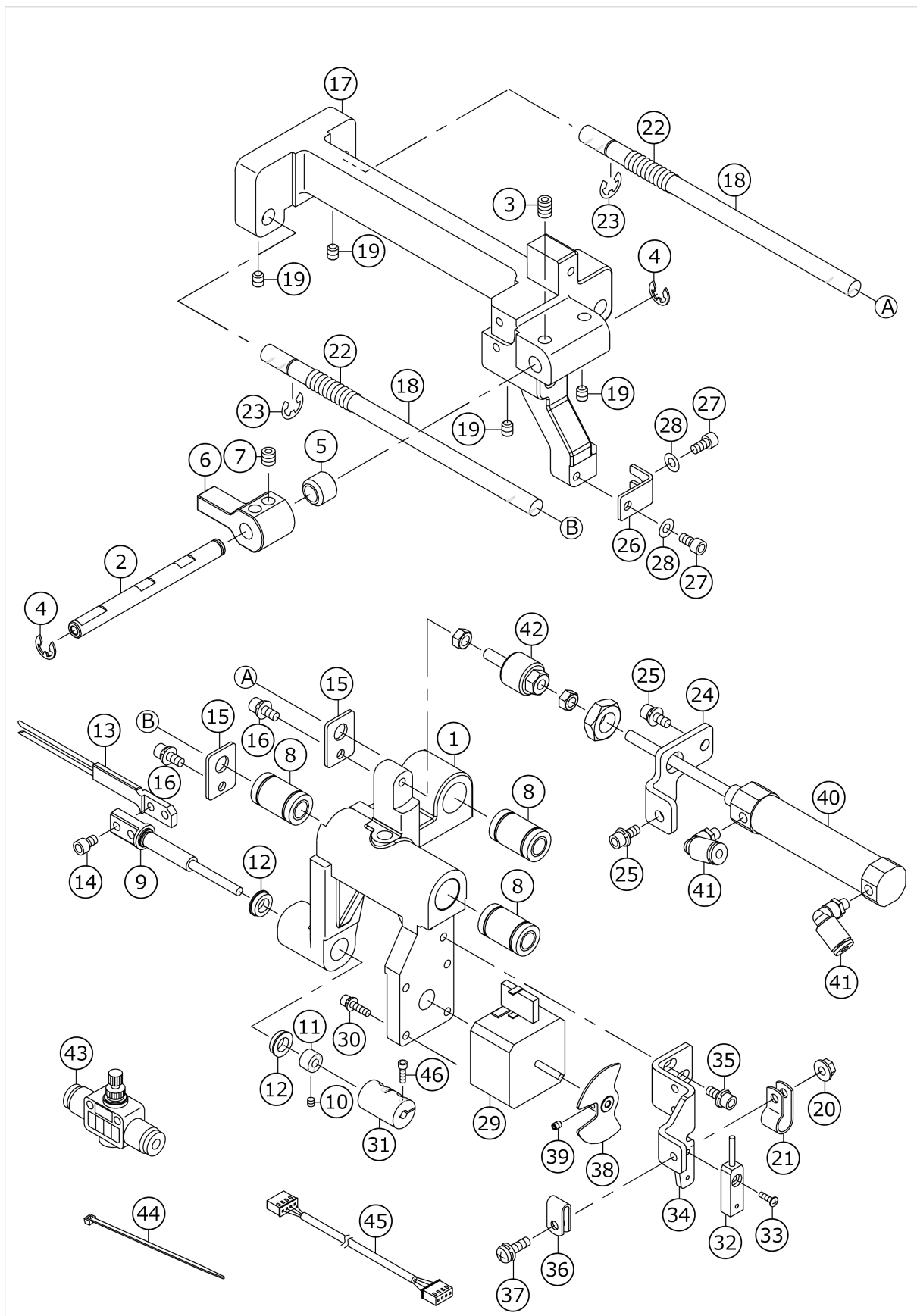
51	40096105	X M FRAME				1.00
52	40110934	BEARING				4.00
53	40091494	TUBE GUIDE PLATE				1.00
54	HX004540000	TIE MOUNT				1.00
55	SM6051002TN	BOLT				3.00
56	SB108002200	BEARING				2.00
57	40092996	SENSOR BRKT CF				1.00
58	SM6040802TN	SCREW				2.00
59	40090647	LOOP CLAMP U/D DETECT SENSOR ASM.				1.00
60	40092915	STOPPER BLOCK				1.00
61	SM6062002TP	SCREW M6 L=20				2.00
62	40108790	Y HP SENSOR PLATE				1.00
63	SM6040802TN	SCREW				2.00
64	HX00150000L	CABLE CLIP				1.00
65	SL4040891SC	SCREW M4 L=8				1.00
66	40091462	TUBE SUPPORT				2.00
67	HX004540000	TIE MOUNT				2.00
68	SM6041002TN	BOLT				2.00
69	WP0460556SD	WASHER 4.6X7.5X0.5				2.00
70	SM0040601SC	SCREW M4X0.7 L=6				2.00
71	NM6040003SC	NUT M4				4.00
72	SM6040802TN	SCREW				2.00
73	WP0430801SE	WASHER 4.3X9X0.8				2.00
74	40091493	CORD CLAMP PLATE				1.00

LOOP CLAMP COMPONENTS



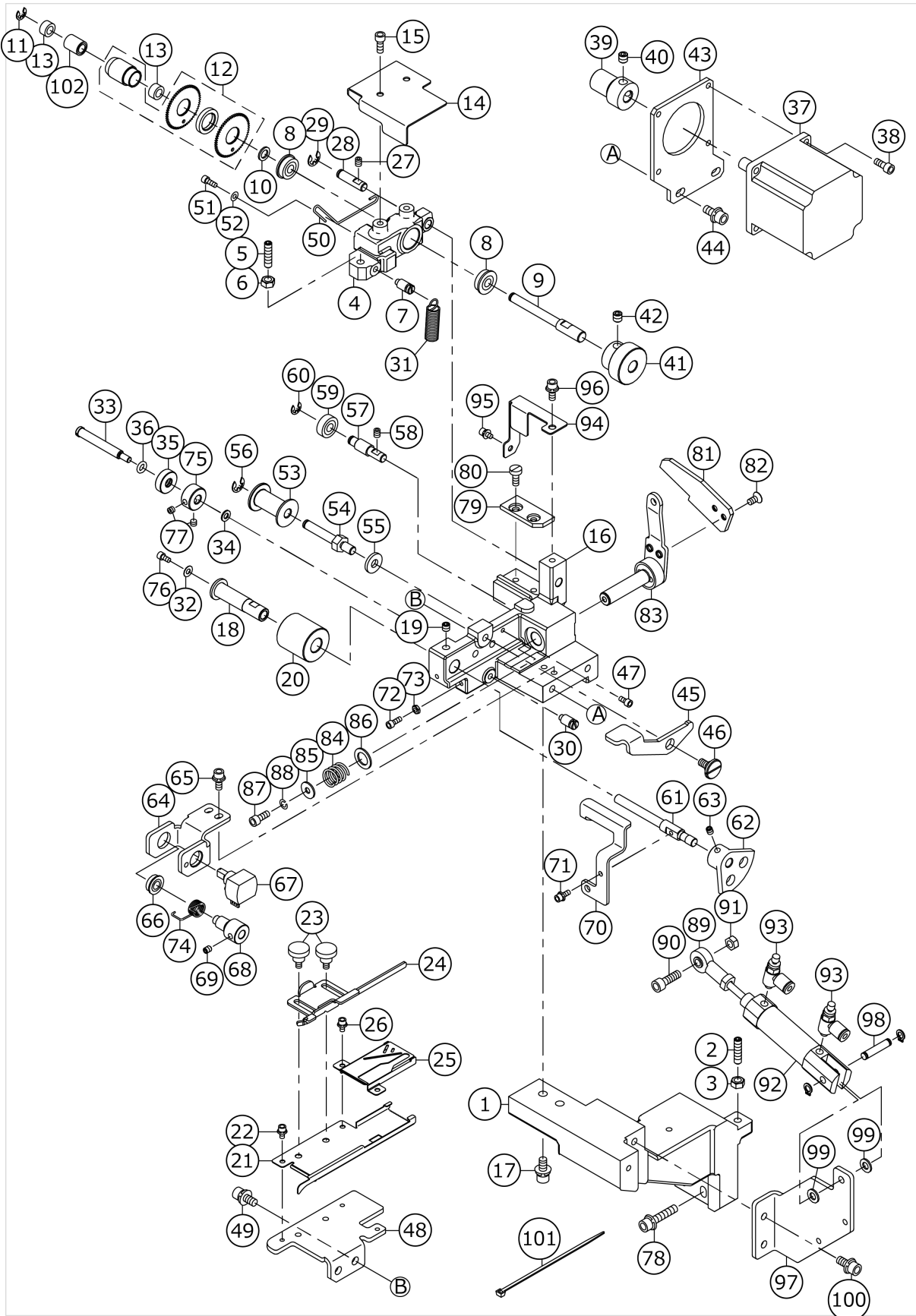
No.	品番	品名	備考	子部品	消耗品	個数
1	40092911	LOOP CLAMP BASE				1.00
2	SL6051292TN	BOLT				2.00
3	40109549	LC_LINER_GUIDE				1.00
4	SM6020602TN	SCREW M2 L=6				3.00
5	40092912	LOOP CLAMP UPPER				1.00
6	SM6020402TN	BOLT M2 L=4				4.00
7	WP0220300SC	WASHER				4.00
8	40092913	LOOP CLAMP C				1.00
9	SM6030500SN	SCREW M3 L=5				1.00
10	PA0601017A0	AIR CYLINDER				1.00
11	SM6033002TN	SCREW M3 L=30				2.00
12	PJ032039001	CONNECTOR				2.00
13	40092999	CYLINDER BLOCK M4				1.00
14	NM3040520SF	FLANGE NUT M4				1.00
15	40077829	CYLINDER SPRING				1.00
16	40077847	SPRING HOLDER				1.00
17	40096108	LOOP CLAMP FRAME				1.00
18	40092916	C F PIVOT				1.00
19	SM8060812TP	SCREW M6 L=8				2.00
20	RE0600000K0	E-RING 6				2.00
21	40077177	SPACE COLLAR				1.00
22	40067820	TUBE CLAMP				1.00
23	SL6041092TN	SCREW				2.00
24	PA1500505A0	AIR CYLINDER				1.00
25	PJ301040502	HALF UNION 4XM5				1.00
26	40092934	ROD CAP M5				1.00
27	PA200100300	THIN-TYPE CYLINDER				1.00
28	PJ304040504	ELBOW UNION				2.00
29	WP0820526SD	WASHER 8.2X14X0.5				2.00
30	16138109	ROD				1.00
31	SM6082502TN	BOLT				1.00
32	B1223771000	NEEDLE ROD CRANK WASHER				1.00
33	40092931	STOPPER PLATE				1.00
34	SL6041092TN	SCREW				2.00
35	40093288	STOPPER SCREW A				2.00
36	40093289	STOPPER SCREW B				2.00
37	PA3200503A0	AIR CYLINDER				1.00
38	PJ304040504	ELBOW UNION				2.00
39	SM6053002TP	SCREW M5X0.8 L=30				4.00
40	40103227	ROD CAP M14				1.00
41	HX00150000C	CABLE CLIP				2.00
42	SL6041092TN	SCREW				2.00
43	40092997	SENSOR PLATE CF				1.00
44	SM6040802TN	SCREW				2.00
45	WP0430801SE	WASHER 4.3X9X0.8				2.00
46	40092998	SENSOR PLATE SUB				1.00
47	SL4030581SC	COMBINATION SCREW M3X5				2.00
48	SB108002200	BEARING				2.00

FORK COMPONENTS



No.	品番	品名	備考	子部品	消耗品	個数
1	40096107	FORK BASE				1.00
2	40092926	FORK F PIVOT				1.00
3	SM8060812TP	SCREW M6 L=8				2.00
4	RE0600000K0	E-RING 6				1.00
5	40077177	SPACE COLLAR				1.00
6	40092910	STOPPER F				1.00
7	SM8060612TP	SCREW M6 L=6				2.00
8	40110932	BEARING				3.00
9	40099407	FORK SHAFT				1.00
10	SM8030312TP	SCREW M3 L=3				2.00
11	CS0400671TP	THRUST COLLAR D=4 W=5.5				1.00
12	SB107000400	BEARING				2.00
13	40092919	FORK PIN BS ASM.				1.00
14	SM6040652TP	SCREW M4 L=6				2.00
15	40092929	SPRING HOLDER R				2.00
16	SM6040802TN	SCREW				2.00
17	40096106	FORK FRAME				1.00
18	40092925	F GUIDE SHAFT				2.00
19	SM8050612TP	SCREW M5X6				4.00
20	NM3040520SC	NUT M4				1.00
21	HX00150000C	CABLE CLIP				1.00
22	40092930	SPRING DAMPER				2.00
23	RE0600000K0	E-RING 6				2.00
24	40092927	CYLINDER BRACKET				1.00
25	SL6041092TN	SCREW				2.00
26	40092993	PROTECT PLATE				1.00
27	SM6040802TN	SCREW				2.00
28	WP0430801SE	WASHER 4.3X9X0.8				2.00
29	40090636	FORK TURN MOTOR				1.00
30	SL6031292TN	BOLT				4.00
31	40111701	FORK_COUPLING				1.00
32	40090645	FORK TURN MOTOR ORG SENSOR ASSY				1.00
33	SM0850801SC	SCREW M2.5 L=8				1.00
34	40092938	SENSOR BRKT FM				1.00
35	SM6040602TN	BOLT				2.00
36	HX001500000	CLIP				1.00
37	SL4041491SC	SCRE W4X14				1.00
38	40092935	SENSOR SLIT F ASM.				1.00
39	SM8030412TP	SCREW				2.00
40	PA1604510A0	AIR CYLINDER				1.00
41	PJ304040504	ELBOW UNION				2.00
42	PX5000100A0	FLOATING JOINT				1.00
43	PC012401000	SPEED CONTROLLER				2.00
44	EA9500B0100	CABLE BAND				5.00
45	40090575	FORK TURN MOTOR RELAY CORD ASSY				1.00
46	SM6850802TN	SCREW M2.5 L=8				1.00

DRAW OUT STEPS PART DETECTION COMPONENTS

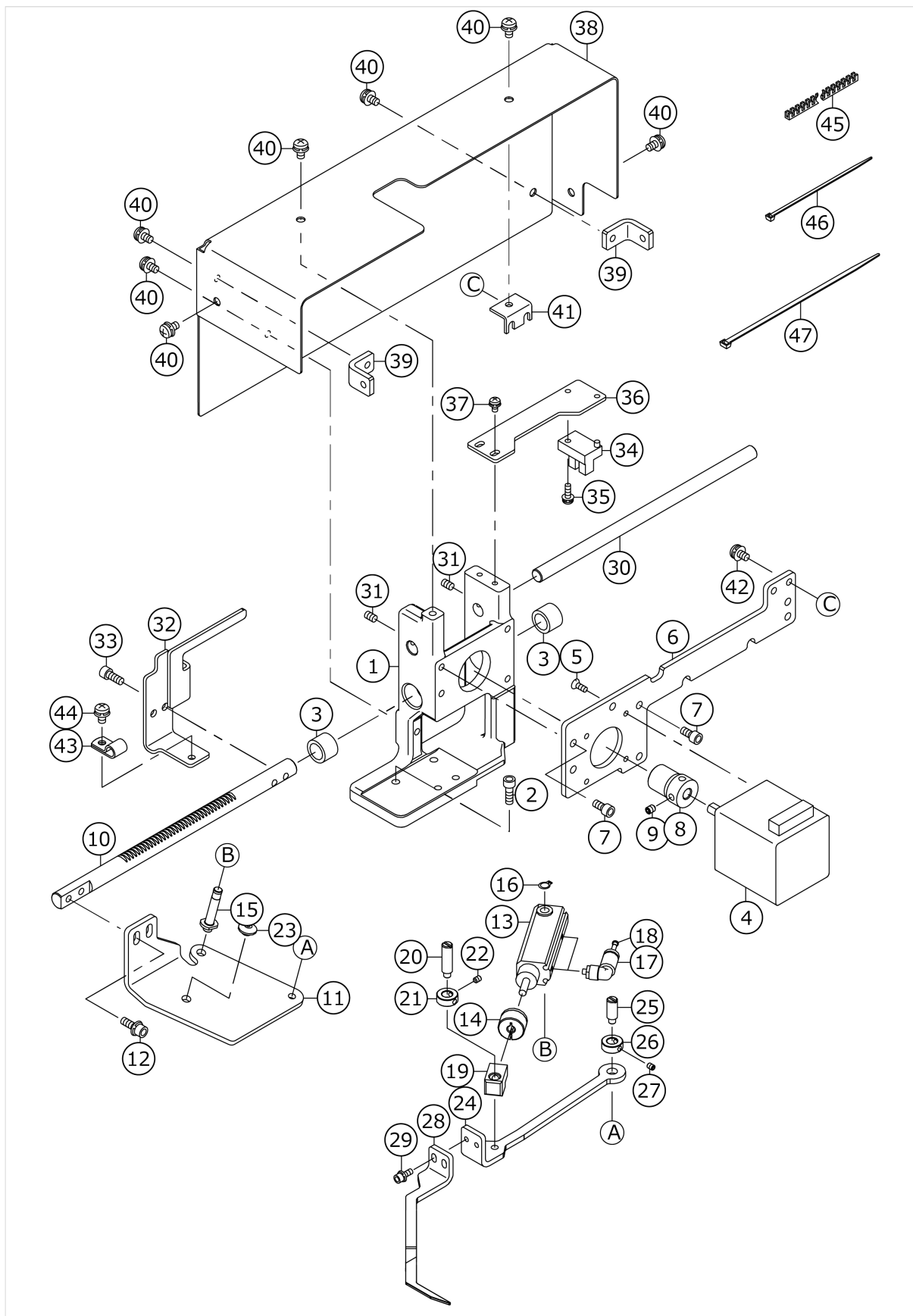


No.	品番	品名	備考	子部品	消耗品	個数
1	40091846	FEED ASSY BLOCK				1.00
2	SM8052002TP	SCREW M5X0.8 L=20				1.00
3	NM6050001SC	NUT M5				1.00
4	40091837	FEED BLOCK				1.00
5	SM8052002TP	SCREW M5X0.8 L=20				1.00
6	NM6050001SC	NUT M5				1.00
7	13340302	SHOULDER SCREW				1.00
8	SB106000300	BEARING				2.00
9	40091817	FEED DRIVE SHAFT				1.00
10	B1618804000	WASHER				1.00
11	RE0400000K0	E-RING 4				1.00
12	40091831	FEED ROLLER ASM.				1.00
13	G5234254000	FEED ROLLER METAL				2.00
14	40091845	GEAR COVER				1.00
15	SM6041002TP	SCREW M4 L=10				2.00
16	40091838	FEED BASE BLOCK				1.00
17	SL6051292TN	BOLT				2.00
18	40091823	LOOP END SHAFT				1.00
19	SM8050512TP	SCREW				1.00
20	G5225254000	LOOP ROLLER				1.00
21	40091842	LOOP UNDER BINDER				1.00
22	SM6030602TN	HEX SCREW M3X6				1.00
23	40093357	KNOB				2.00
24	40100722	LOOP SLIDE GUIDE				1.00
25	40091818	LOOP UPPER BINDER				1.00
26	SM6030602TN	HEX SCREW M3X6				2.00
27	SM8040512TP	SCREW				1.00
28	40091820	FEED PIVOT SH				1.00
29	RE0500000K0	E-RING				1.00
30	13340302	SHOULDER SCREW				1.00
31	B1707210000	SPRING				1.00
32	WP0370316SD	WASHER 3.7X8X0.3				1.00
33	40100715	LOOP GUIDE SHAFT				1.00
34	WP0410846SC	WASHER				1.00
35	40100716	RUBBER COLLAR				1.00
36	RO048190100	RUBBER RING				1.00
37	40090634	LOOP FEED MOTOR				1.00
38	SM6041002TP	SCREW M4 L=10				4.00
39	26501502	Y FEED GEAR				1.00
40	SM8060612TP	SCREW M6 L=6				2.00
41	40030947	X DRIVEN GEAR				1.00
42	SM8060602TP	SCREW M6X6				2.00
43	40091821	MOTOR BRACKET				1.00
44	SL6051292TN	BOLT				2.00
45	40100719	LEVER BR				1.00
46	SD0800327TP	SHOULDER SCREW				1.00
47	SM6030602TP	SCREW M3X0.5 L=6				1.00
48	40091841	LOOP GUIDE BRACKET A				1.00
49	SL6051292TN	BOLT				2.00
50	40091814	UPPER LOOP GUIDE				1.00

51	SM6030802TN	BOLT				2.00
52	WP0320500SC	WASHER M3				2.00
53	40091815	UNDER ROLLER SD				1.00
54	40091816	UNDER ROLLER				1.00
55	WP0602016SP	WASHER				1.00
56	RE0500000K0	E-RING				1.00
57	40091813	UNDER ROLLER SH				1.00
58	SM8050512TP	SCREW				1.00
59	SB106000400	CLUTCH BEARING				1.00
60	RE0400000K0	E-RING 4				1.00
61	40100720	SENSOR GEAR SHAFT				1.00
62	40091828	SENSOR GEAR				1.00
63	SM8040512TP	SCREW				2.00
64	40091836	SENSOR BR				1.00
65	SL6041092TN	SCREW				2.00
66	SB106000700	BALL BEARING				1.00
67	40090638	LOOP SENSOR ASSY				1.00
68	40091829	POTENTIOMETER GEAR				1.00
69	SM8040502TP	SCREW M4X0.7 L=5				1.00
70	40100721	SENSOR CONTACT BR				1.00
71	SL6030892TN	SCREW				1.00
72	SM6030802TP	SCREW M3X0.5 L=8				1.00
73	NM6030003SC	NUT M3				1.00
74	40100723	SENSOR SHAFT SPRING				1.00
75	40026745	COLLAR				1.00
76	SM6030602TN	SCREW M3X6				1.00
77	SM8040312TP	SCREW M4 L=3				2.00
78	SL6052592TN	BOLT				4.00
79	40091839	UNDER KNIFE				1.00
80	SM6041050TP	SCREW				2.00
81	40091822	UPPER KNIFE				1.00
82	SM1040801SP	SCREW M4X0.7 L=8				2.00
83	40091832	KNIFE ARM ASM.				1.00
84	B3433552000	SPRING				1.00
85	WP0431005SP	PLAIN WASHER 4.3X12X1				1.00
86	WP0951016SP	WASHER 9.53X15X1				1.00
87	SM6041002TN	BOLT				1.00
88	WS0410002KN	SPRING WASHER				1.00
89	40093290	ROD END				1.00
90	SM6051602TP	SCREW M5X0.8 L=16				1.00
91	NM6050001SC	NUT M5				1.00
92	PA1602013A0	AIR CYLINDER				1.00
93	PC010508000	SPEED CONTROLLER				2.00
94	40091843	KNIFE COVER				1.00
95	SM6030602TN	HEX SCREW M3X6				1.00
96	SM6040802TP	SCREW M4X0.7 L=8				1.00
97	40091827	CUT CYLINDER BASE				1.00
98	PX5000290A0	PIN				1.00
99	WP0531001SC	WASHER				2.00
100	SL6051292TN	BOLT				2.00
101	EA9500B0100	CABLE BAND				2.00

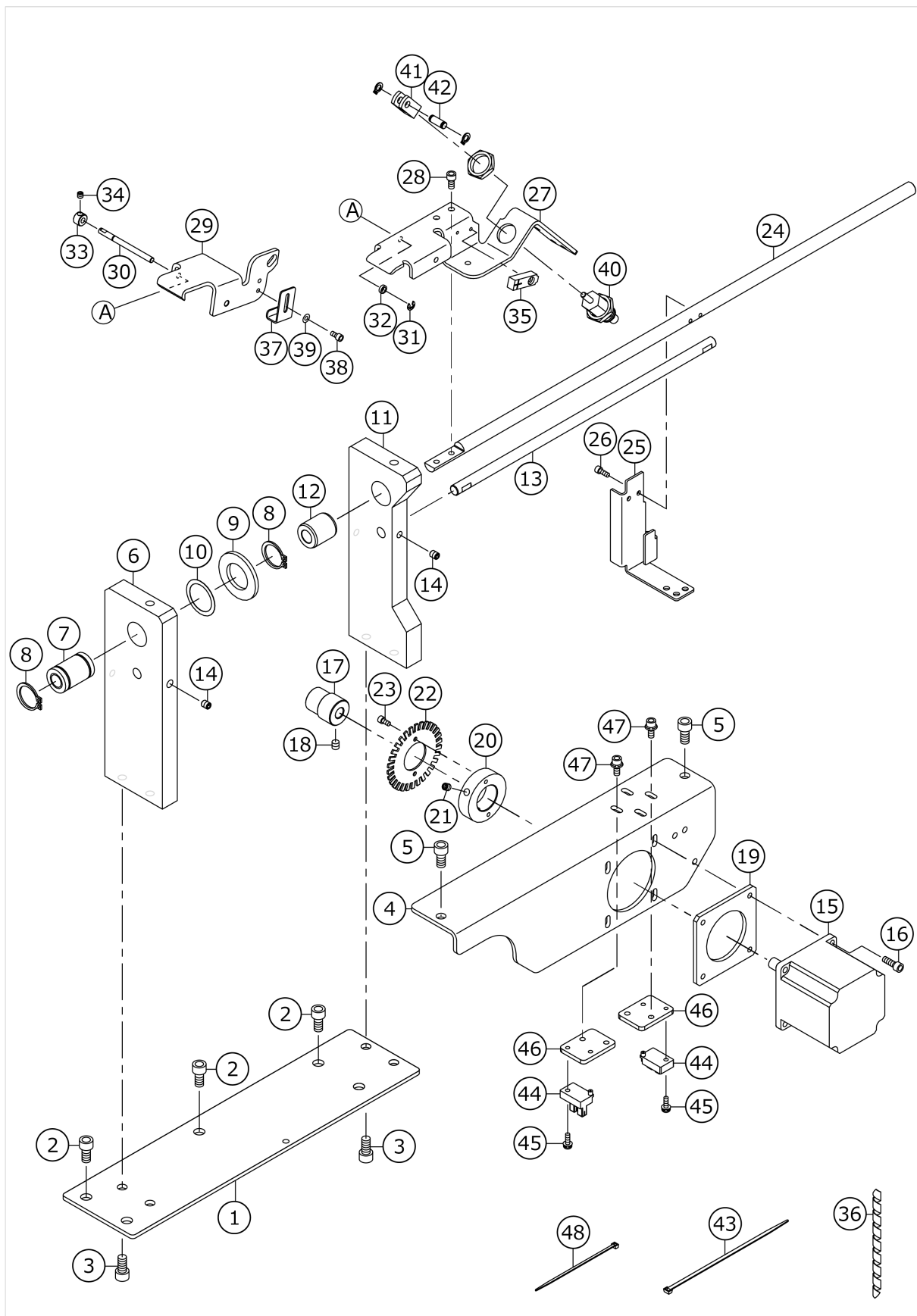
102	SB306000400	ROLLER CLUTCH				1.00
-----	-------------	---------------	--	--	--	------

LOOP LOOSENER COMPONENTS



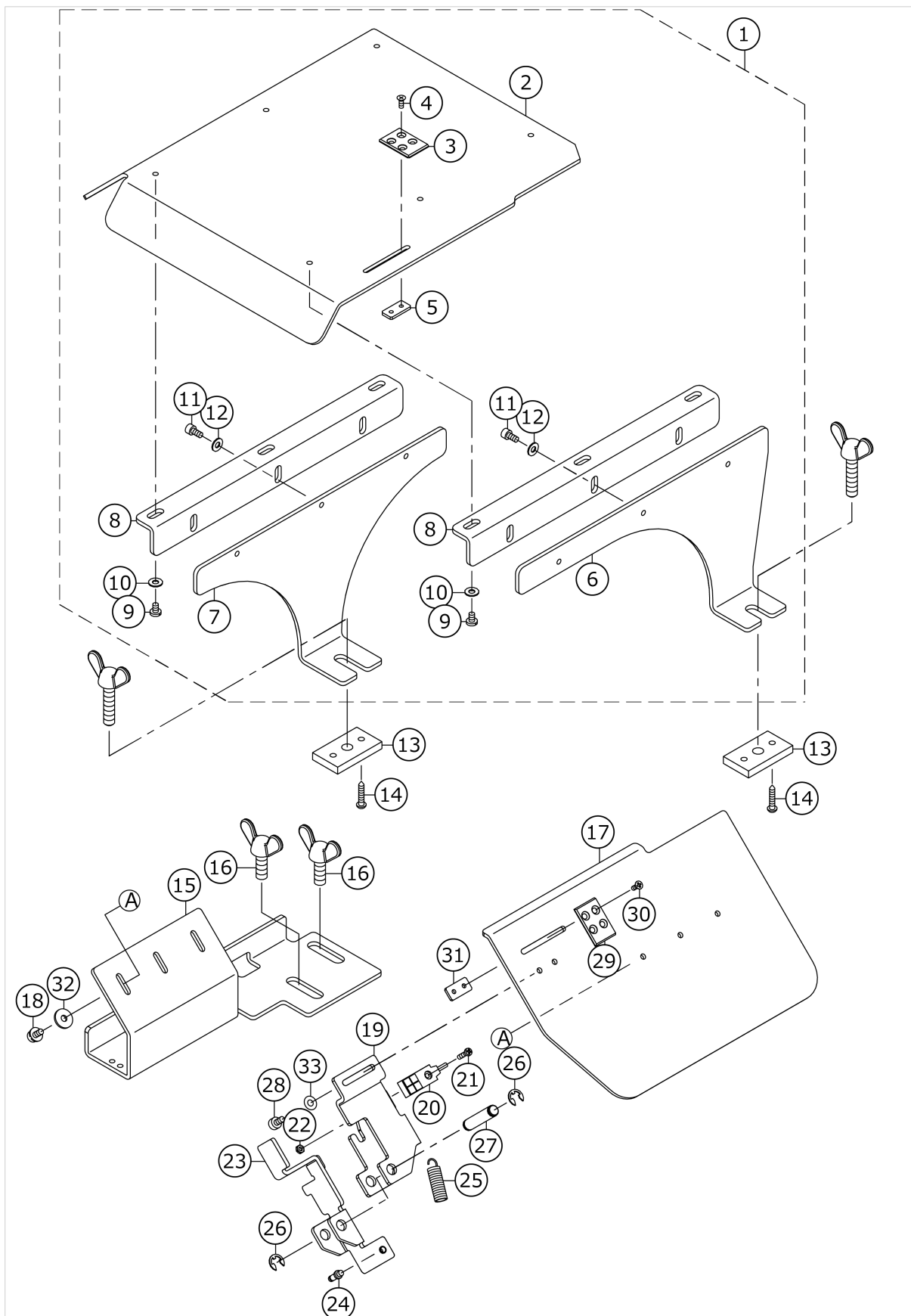
No.	品番	品名	備考	子部品	消耗品	個数
1	40066541	LOOSENER BASE				1.00
2	SM6041202TP	SCREW M4X0.7 L=12				2.00
3	32007403	CONNECTING ARM METAL A				2.00
4	40044473	ROLLER STACKER MOTOR				1.00
5	SM1030601SN	SCREW M3X0.5 L=6				4.00
6	40075984	LOOSENER COVER SUPPORT				1.00
7	SM6040802TP	SCREW M4X0.7 L=8				4.00
8	40066551	MOTOR GEAR				1.00
9	SM8040502TP	SCREW M4X0.7 L=5				2.00
10	40066552	FEED SHAFT				1.00
11	40100416	MOVING BASE				1.00
12	SL6041292TN	SCREW				2.00
13	PA1002012A0	AIR CYLINDER				1.00
14	40091164	STOPPER COLLOR				1.00
15	40100417	CYLINDER SHAFT				1.00
16	RC0470611KP	RETAINING RING 4.7				1.00
17	PJ304040301	UNION ELBOW M3				2.00
18	PC022403E00	INSERT RING				2.00
19	40091167	CYLINDER JOINT				1.00
20	40091168	CYLINDER PIN				1.00
21	40010477	AT SOL COLLAR				1.00
22	SM8030412TP	SCREW				2.00
23	12258000	BUSH				1.00
24	40100418	LOOSENER LINK				1.00
25	40066643	JOINT SHAFT				1.00
26	40010477	AT SOL COLLAR				1.00
27	SM8030412TP	SCREW				2.00
28	40100419	LOOSENER				1.00
29	SL6030892TN	SCREW				2.00
30	40066640	GUIDE SHAFT				1.00
31	SM8040612TP	SCREW M4 L=6				2.00
32	40066650	GUIDE BRACKET				1.00
33	SM6041002TP	SCREW M4 L=10				2.00
34	HD00057000A	PHOTO SENSOR				1.00
35	SL4031081SC	SCREW M3X10				1.00
36	40066647	SENSOR BRACKET				1.00
37	SL4030681SC	SCREW M3 L=6				2.00
38	40075986	LOOSENER COVER				1.00
39	40075985	COVER ANGLE				2.00
40	SL4040891SC	SCREW M4 L=8				7.00
41	14002802	PULLEY COVER STOPPER				1.00
42	SL4040891SC	SCREW M4 L=8				2.00
43	HX00150000B	CABLE CLIP				1.00
44	SL4040891SC	SCREW M4 L=8				1.00
45	HX002230000	ADJUSTABLE BUSH				0.15
46	EA9500B0100	CABLE BAND				3.00
47	EA9500B0200	CABLE BAND 150				2.00

CLAMP FEED COMPONENTS



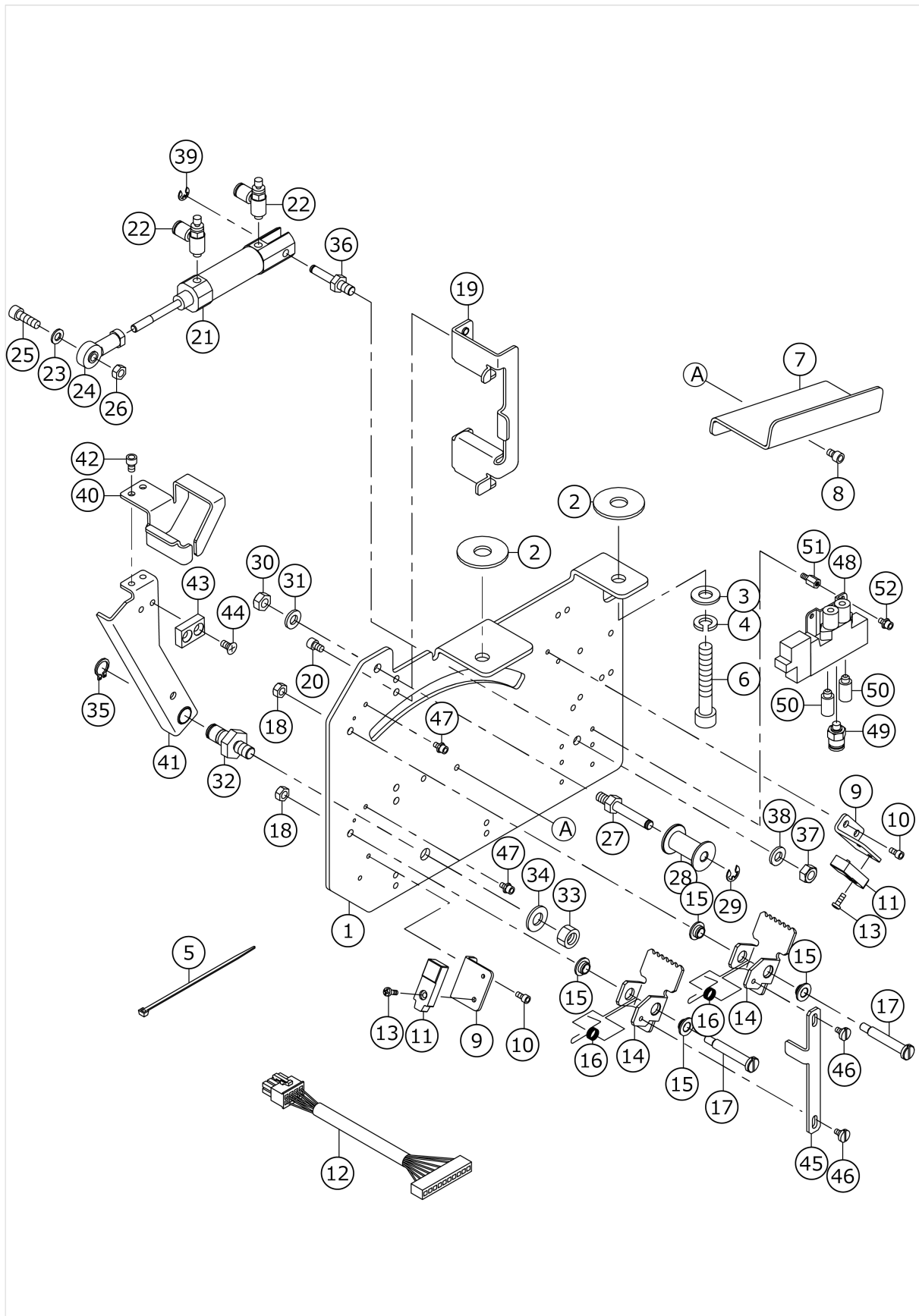
No.	品番	品名	備考	子部品	消耗品	個数
1	40110724	CLAMP_FEED_BASE_PLATE				1.00
2	SM6061202TN	BOLT				5.00
3	SM6061202TN	BOLT				4.00
4	40091388	MOTOR BASE				1.00
5	SM6061202TN	BOLT				2.00
6	40110725	BEARING_PLATE_R				1.00
7	SB710000200	SLIDE BEARING				1.00
8	RC1900001KP	C-RING				2.00
9	WP2103001SE	PLAIN WASHER				1.00
10	WZ2200300KP	WAVED WASHER				1.00
11	40110726	BEARING_PLATE_F				1.00
12	23612807	METAL A				1.00
13	40091390	GUIDE SHAFT				1.00
14	SM8050612TP	SCREW M5X6				2.00
15	40090634	LOOP FEED MOTOR				1.00
16	SM6041202TN	SCREW M4X0.7 L=12				4.00
17	40091391	CLAMP FEED MOTOR GEAR				1.00
18	SM8050592TP	SCREW				2.00
19	40071742	MOTOR NUT PLATE				1.00
20	40091392	D PLATE BOSS				1.00
21	SM8050512TP	SCREW				2.00
22	40091393	DETECTIVE PLATE				1.00
23	SM6030602TN	HEX SCREW M3X6				2.00
24	40091394	CLAMP FEED SHAFT				1.00
25	40091395	CLAMP FEED GUIDE PLATE				1.00
26	SM6030802TN	BOLT				2.00
27	40091398	LOOP CLAMP BASE PLATE				1.00
28	SM6040802TN	SCREW				2.00
29	40091399	LOOP CLAMP LEVER				1.00
30	40091400	LOOP CLAMP LEVER SHAFT				1.00
31	RE0300000K0	E-RING 3				1.00
32	13440904	SPACER 1				1.00
33	13172903	COLLAR				1.00
34	SM8040412TP	SET SCREW M4 L=4				1.00
35	40090643	LOOP CATCH DETECT SENSOR ASSY				1.00
36	HX001890000	SPIRAL TUBE				0.70
37	40066677	LOOP SENSOR PLATE				1.00
38	SM6030602TN	SCREW M3X6				2.00
39	WP0320500SC	WASHER M3				2.00
40	PA1001025A0	PIN CYLINDER				1.00
41	40091401	JOINT				1.00
42	16905606	KNUCKLE PIN B				1.00
43	EA9500B0200	CABLE BAND 150				2.00
44	HD00057000A	PHOTO SENSOR				2.00
45	SL4031081SC	SCREW M3X10				2.00
46	40091402	SENSOR PLATE				2.00
47	SL6041092TN	SCREW				4.00
48	EA9500B0100	CABLE BAND				8.00

SUB TABLE COMPONENTS



No.	品番	品名	備考	子部品	消耗品	個数
1	40097441	SUB TABLE L ASSY				1.00
2	40103182	SUB TABLE L		*		1.00
3	40097154	BAND CHECK PLATE L		*		1.00
4	SM1030801SN	SCREW M3X0.5 L=8		*		2.00
5	40097155	STOPPER NUT		*		1.00
6	40067916	SUB TABLE STAY A		*		1.00
7	40103229	SUB TABLE STAY B		*		1.00
8	B1132223C00	COVER BASE		*		2.00
9	SM6450610TP	SCREW		*		6.00
10	WP0450801SP	WASHER		*		6.00
11	SM6040802TP	SCREW M4X0.7 L=8		*		6.00
12	WP0450801SP	WASHER		*		6.00
13	40068321	SUPPORT NUT				2.00
14	SK3382001SE	SCREW D=3.8 L=20				4.00
15	40106806	SUB TABLE R SUPPORT BR				1.00
16	GTR02013000	WING SCREW				2.00
17	40106809	BAND TABLE				1.00
18	SL6040842TN	SCREW M4 L=8				3.00
19	40106807	BAND SWITCH BR				1.00
20	40090644	START SW SENSOR ASSY				1.00
21	SM4031201SC	SCREW M3X12				1.00
22	NM6030003SC	NUT M3				1.00
23	40093402	BAND SWITCH PL				1.00
24	17850603	SPRING PACK SHAFT				1.00
25	23508104	ADJUSTING LINK SPRING				1.00
26	RE0600000K0	E-RING 6				2.00
27	G2581312000	IDLER A				1.00
28	SM6450610TP	SCREW				2.00
29	40097154	BAND CHECK PLATE L				1.00
30	SM1030801SN	SCREW M3X0.5 L=8				2.00
31	40097155	STOPPER NUT				1.00
32	WP0461516SH	WASHER				3.00
33	WP0450801SP	WASHER				2.00

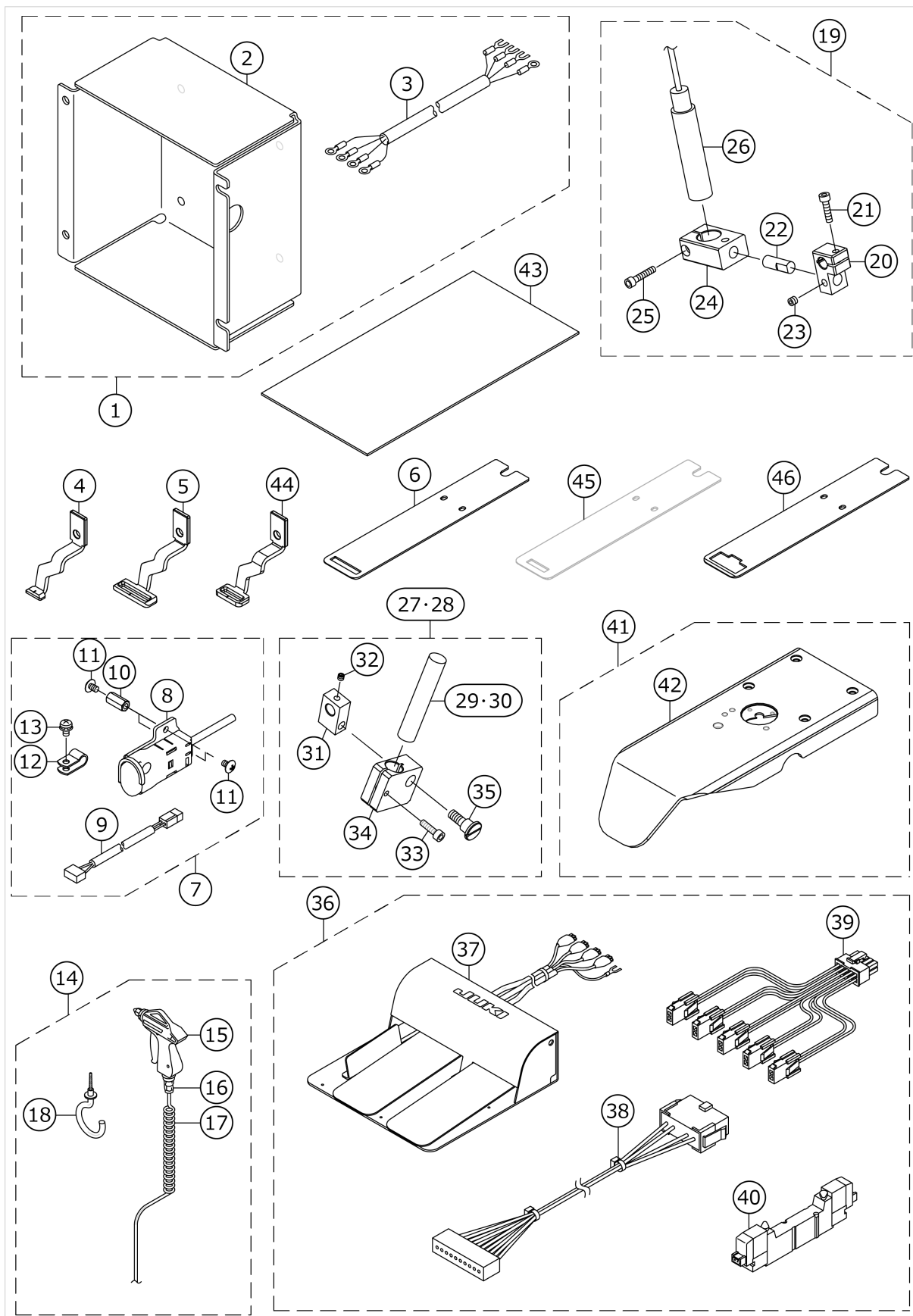
OPTIONAL PARTS COMPONENTS (1) (LOOP PULL SUPPORT DEVICE)



No.	品番	品名	備考	子部品	消耗品	個数
1	40093140	LOOP PULL BASE				1.00
2	GAK33032000	SOLENOID RUBBER B				2.00
3	WP0850002SC	WASHER 8.5X18X1.6				2.00
4	WS0820002KN	SPRING WASHER M8				2.00
5	EA9500B0100	CABLE BAND				5.00
6	SM6087002TN	SCREW M8 L=70				2.00
7	40064420	LOOP LOWER SUPPORT PLATE				1.00
8	SM6040602TN	BOLT				2.00
9	40093137	LOOP LOCK SENSOR PLATE				2.00
10	SM6030602TN	HEX SCREW M3X6				4.00
11	40090652	LOOP FEED ASSIST DEVICE I/O CORD ASM.				1.00
12	40090653	LOOP FEED ASSIST DEVICE RELAY CORD ASM.				1.00
13	SM4030601SN	SCREW M3 X 6				2.00
14	40093135	LOOP FASTEN CLAW				2.00
15	G6031870000	BEARING				4.00
16	40093375	LOOP STOPPER SPRING				2.00
17	40064401	FOLDING STEP SCREW				2.00
18	NM6050001SC	NUT M5				2.00
19	40093142	LOOP SUPPORT BR				1.00
20	SM6040602TN	BOLT				4.00
21	PA1602013A0	AIR CYLINDER				1.00
22	PC010508000	SPEED CONTROLLER				2.00
23	WP0531000SC	WASHER 5.3X10X1				1.00
24	40093290	ROD END				1.00
25	SM6051602TP	SCREW M5X0.8 L=16				1.00
26	NM6050001SC	NUT M5				1.00
27	40091815	UNDER ROLLER SD				1.00
28	40091816	UNDER ROLLER				1.00
29	RE0500000K0	E-RING				1.00
30	NM6060001SC	NUT M6				1.00
31	WP0641601SC	WASHER				1.00
32	40093141	LOOP PULL PIVOT BOSS				1.00
33	NM6080001SC	NUT M8X1.25				1.00
34	WP0841601SC	WASHER 8.4X17.4X1.6				1.00
35	RC0100001KP	SNAP RING M10				1.00
36	40093341	PULL CYLINDER PIVOT SD				1.00
37	NM6060001SC	NUT M6				1.00
38	WP0641601SC	WASHER				1.00
39	RE0400000K0	E-RING 4				1.00
40	40093143	LOOP PULL BRACKET				1.00
41	40093380	LOOP PULL ARM ASM.				1.00
42	SM6040602TN	BOLT				2.00
43	40093144	SLIDE BLOCK				1.00
44	SM1040801SC	SCREW M4X0.7 L=8				2.00
45	40093136	LOOP GUIDE LINK				1.00
46	SD0400266TP	SHOULDER SCREW				2.00
47	SM6030602TN	HEX SCREW M3X6				2.00
48	PV1502060B0	5-PORT SOLENOID VALVE				1.00
49	PJ301060503	HALF UNION				1.00
50	PX050501000	SILENCER				2.00

51	HX00354000N	SPACER				2.00
52	SL6030692TN	BOLT				2.00

OPTIONAL PARTS COMPONENTS (2)



No.	品番	品名	備考	子部品	消耗品	個数
1	40090561	OPTION HIGH VOLTAGE TRANSFORMER ASSY				1.00
2	40005422	HIGH VOLTAGE TRANSFORMER		*		1.00
3	40070548	AC POWER CORD E ASM.		*		1.00
4	40091157	WORK CLAMP FOOT AN				1.00
5	40066686	WORK CLAMP FOOT B				1.00
6	40066744	FEED PLATE B				1.00
7	40097205	INTERMEDIATE STOP SWICH ASSY				1.00
8	32002354	SWITCH ASM.		*		1.00
9	40043994	STOP SW RELAY CORD ASM.		*		1.00
10	HX00337000A	SPACER		*		2.00
11	SM0040601SC	SCREW M4X0.7 L=6		*		4.00
12	HX00150000B	CABLE CLIP		*		1.00
13	SL4040891SC	SCREW M4 L=8		*		1.00
14	40111887	AIR GUN ASSY				1.00
15	40044823	AIR GUN		*		1.00
16	PJ301065201	HALF UNION 6XPT1/4		*		1.00
17	GSS36020000	COIL TUBE		*		1.00
18	MAT81163T00	CORD HOLDER		*		1.00
19	40111891	LED MARKING ASSY				1.00
20	40091172	MARKER FIXED BLOCK		*		1.00
21	SM6041602TP	SCREW M4X0.7 L=16		*		1.00
22	40091173	MARKER FIXED SUB ROD		*		1.00
23	SM8050412TP	SCREW M5 L=4		*		2.00
24	40067813	MARKER BRACKET		*		1.00
25	SM6042002TP	SCREW M4X0.7 L=20		*		1.00
26	40090637	LED MARKING		*		1.00
27	40111906	LASER MARKING 130 ASSY	TYPE 130MM			1.00
28	40111907	LASER MARKING 300 ASSY	TYPE 300MM			1.00
29	HE000520000	LAMP	TYPE 130MM	*		1.00
30	HE000530000	LAMP	TYPE 300MM	*		1.00
31	40034002	FIXED HOLDER B		*		1.00
32	SM8040412TP	SET SCREW M4 L=4		*		1.00
33	SM6041602TP	SCREW M4X0.7 L=16		*		1.00
34	40034001	FIXED HOLDER A		*		1.00
35	SD0900706TP	SHOULDER SCREW D=9 H=7		*		1.00
36	40111910	3-PEDAL ASSY				1.00
37	GPK470010AB	3-PEDAL ASM.		*		1.00
38	40073659	SW RELAY CORD ASM.		*		1.00
39	40033875	PK47 RELAY CABLE ASM.		*		1.00
40	PV150106000	5-PORT SOLENOID VALVE		*		1.00
41	40091154	NEEDLE PLATE N ASM.				1.00
42	40091337	NEEDLE PLATE N		*		1.00
43	40091162	SPONGE				1.00
44	40091156	WORK CLAMP FOOT BN				1.00
45	40075979	FEED PLATE BN				1.00
46	40093451	FEED PLATE C				1.00

HOW TO MAKE USE OF THIS PARTS LIST

1.Explanation of codes

1)"*"mark.....means this part is changed from the previous parts book.

As to the details of the change, refer to the "List for information of change".

2)"#01".....refer to "Note" explanation at bottom of page.

2.Codes on the "Qty" column

· Each numeral indicates the number of parts required.

· "0.1" and "2.5" indicate the length (in meters) of the respective parts.

3.Parentheses mean that the corresponding part is a subpart that constructs an assembly part.

4.Dotted lines on the Figures indicate assembly parts.

5.As to the parts with marks of "☆"(consumable parts) and "◎"(optional parts)on the respective parts, it is recommended to prepare spares.

1 ."注記"欄の記号説明

1) "*"印.....前回のパーツブックに比較して今回変更された部品を意味します。

変更内容は、"変更情報リスト"を参照してください。

2) "#01".....ページ下の"注記"の説明を参照してください。

2.数量欄の数字は、個数を表し、0.1、2.5等の数値は、長さ（単位メートル）を表します。

3.数量欄の（ ）は、組部品を構成している子部品であることを意味します。

4.イラストページの-----枠は、組構成であることを意味します。

5.リストページの"☆"（消耗部品）、"◎"（オプション部品）の印がついた部品は、予備を準備しておくことをお奨めします。